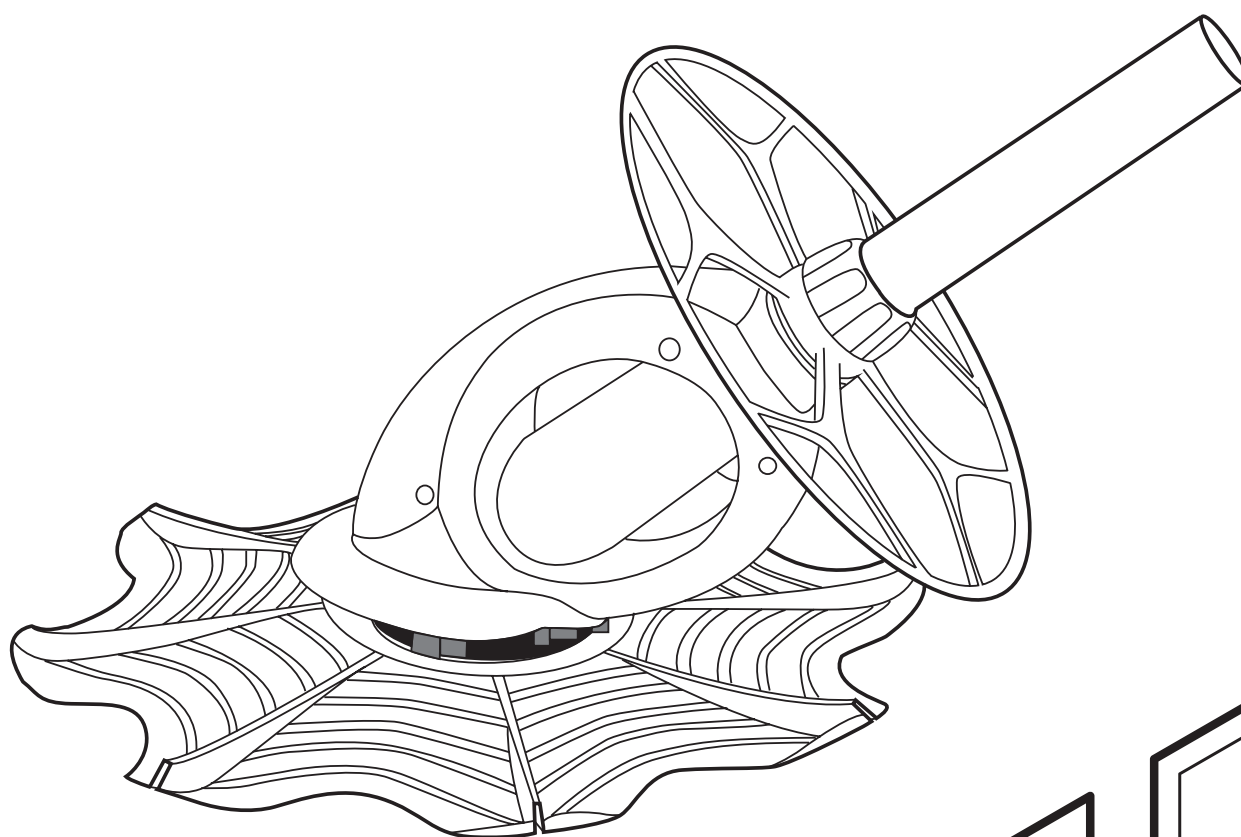




# SWIFT

## DIAPHRAGM DRIVE POOL CLEANER



## INSTALLATION & OPERATION MANUAL

HY-CLOR AUSTRALIA PTY LIMITED  
ABN 81 000 655 381

178 Power Street  
Glendenning NSW 2761 Australia

all enquiries:  
AU 1800 625 123, NZ (09) 973 2477  
or [help@hyclor.com.au](mailto:help@hyclor.com.au)

visit us at [hyclor.com.au](http://hyclor.com.au)



## LIMITED WARRANTY

The SWIFT pool cleaner was carefully inspected before shipment. If after opening the pack, any part proves to be missing or defective, please notify HY-CLOR immediately. HY-CLOR warrants this SWIFT pool cleaner against manufacturing defects for a period of one year. This limited warranty is effective from the date of purchase.

This limited warranty is for the replacement of defective parts only. Any labour charges including, but not limited to, charges incurred for the installation or fitting of the replacement parts by the dealer.

The following are excluded from this limited warranty:

1. Damage to or malfunction of the SWIFT pool cleaner as a result of improper water chemistry including but not limited to excess chlorination.
2. Discoloration of the SWIFT pool cleaner. Exposure to ultraviolet light rays and pool chemicals can cause discolouration of the SWIFT pool cleaner.
3. Pattern removal, abrasion or marking on vinyl liners.
4. This product is not suitable for above ground and/or vinyl lined pools. Use in these types of pools and surfaces will void the warranty. The manufacturer takes no responsibility for damage to the pool and equipment should you choose to use this cleaner in an above ground and/or vinyl lined pool.

This limited warranty shall be void if the customer modifies the SWIFT pool cleaner in anyway, or uses parts other than genuine HY-CLOR parts.

Only the original purchaser is entitled to make a warranty claim.

These warranties are in lieu of any other warranties, expressed or implied, including warranties of fitness and merchantability. Any such implied warranty imposed is limited to one year from date of purchase.

HY-CLOR assumes no responsibility for any warranties or representations made by other individuals or businesses, WITHOUT A PROOF OF PURCHASE or beyond the express terms contained in this limited warranty.

This SWIFT pool cleaner is not warranted or guaranteed outside of Australia and New Zealand.

---

### PRODUCT HELPLINE

**Australia: 1800 625 123**  
**New Zealand: (09) 973 2477**

**help@hyclor.com.au**  
**www.hyclor.com.au**



## WARNING

### **SAFETY INSTRUCTIONS: Read Prior to Use**

**SUCTION HAZARD** - When using the SWIFT pool cleaner, keep it away from body parts when the cleaner is connected to suction.

**CHILD DROWNING RISK** - Adult use only. Never allow children to use the SWIFT pool cleaner. Do not allow swimmers in the pool during cleaner operation. Store out of the reach of children.

## PREPARING YOUR POOL

Before you assemble and install your SWIFT pool cleaner, we strongly recommend you carry out the following steps to ensure your pool is ready for your cleaner to operate.

1. Make sure the chemical balance of your pool water is correct.
2. Brush your pool and let any debris settle.
3. Vacuum your pool using a manual vacuum cleaner.
4. Clean your pool filter, skimmer basket and pump strainer basket.
5. Close the pool main drain (if your pool has one).
6. Adjust the pool return lines so the water flow is directed downward to encourage complete cleaning of your pool. The flow of water from the return line(s) can affect the performance of SWIFT, as it can push the cleaner away from certain areas, or cause it to stay in one section of the pool.
- 7. If necessary, replace the eyeball fitting with the Return Line Diverter supplied with your SWIFT pool cleaner.**

---

### PRODUCT HELPLINE

**Australia: 1800 625 123**  
**New Zealand: (09) 973 2477**

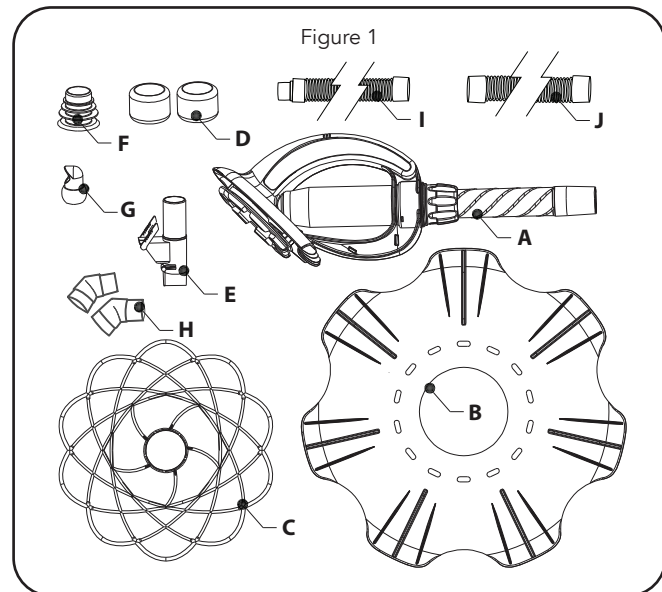
**help@hyclor.com.au**  
**www.hyclor.com.au**

# ASSEMBLING AND INSTALLING YOUR SWIFT POOL CLEANER

## STEP 1: CHECK CONTENTS

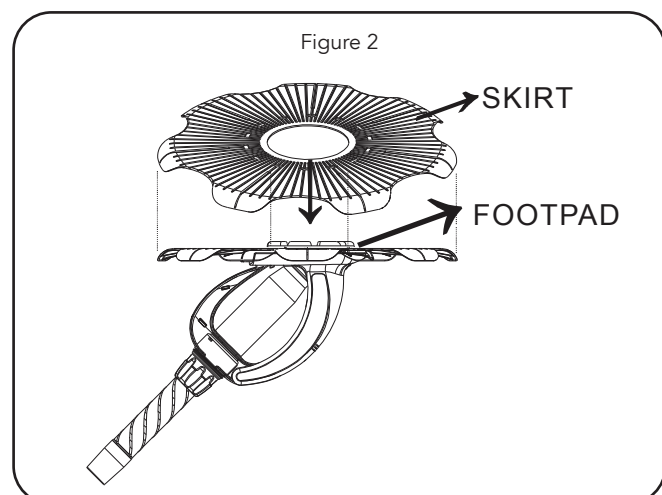
Remove the cleaner body and all parts from the box and check the following components are included. Refer to Figure 1.

No:	Description	Qty
A	Body complete with footpad	1
B	Swift Skirt	1
C	Deflector Wheel	1
D	Hose Weights	2
E	Regulator Valve	1
F	Regulator Valve Adaptor (hose cone)	1
G	Return Line Diverter	1
H	45° Elbows	2
I	M/F APC 2 tone hoses	9
J	F/F APC 2 tone hose	1



## STEP 2: ASSEMBLE THE SWIFT POOL CLEANER

To assemble simply fit your SWIFT pool cleaner Skirt to the body. Simply stretch the Skirt (with the fins pointing away from the pool, towards the cleaner) over the Footpad, as shown in Fig 2. Make sure the inside rim of the Skirt is located in the track that runs around the Footpad. When the Skirt is correctly positioned, it should easily rotate around the Footpad.



## PRODUCT HELPLINE

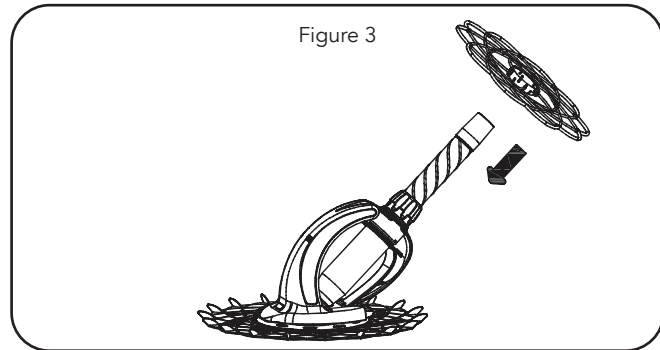
Australia: 1800 625 123  
New Zealand: (09) 973 2477

help@hyclor.com.au  
www.hyclor.com.au

### STEP 3: USE OF THE DEFLECTOR WHEEL

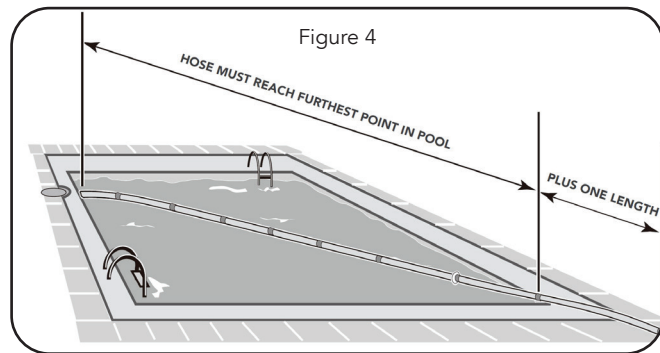
Use the Deflector Wheel if your pool has tight corners and/or a ladder. The Deflector Wheel helps guide your SWIFT pool cleaner around these obstacles.

To fit the Deflector Wheel, simply push it over the Hand nut, until it has engaged (should hear click) correctly and rotates freely. See Fig 3.

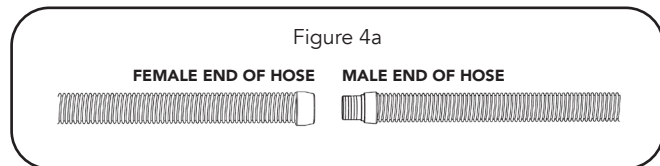


### STEP 4: CONNECT HOSE AND POSITION THE HOSE WEIGHT

Connect sufficient lengths of hose to cover the distance from the pool to the furthest point of the pool plus one length (See Fig 4) The F/F hose is used to connect to the cleaner directly. The male end of the M/F Hose's inserts into the female hose (Fig 4a). Continue until desired length is achieved.

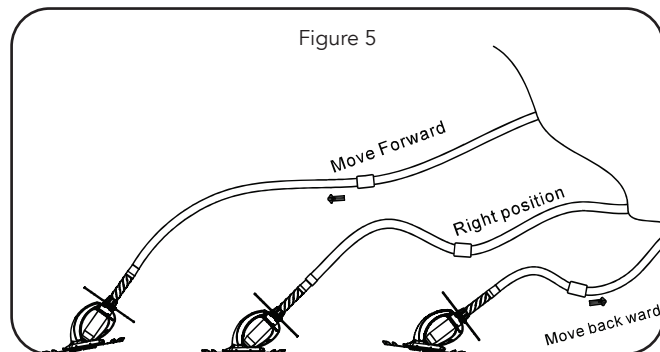


The Female end of the M/F hose also connects to valve regulator valve. See next step for installation into the skimmer.



Most pools will require the use of the hose weights (D). This is to counteract excessive buoyancy created by the hose. This also helps guide the cleaner round the pool.

1 x Hose weight is put placed approx 1 meter from the cleaner where the F/F connects the F/M hose section.



The second hose weight is normally used if the cleaner is getting stuck to convince the hose to move away from a troubling area.

Or to balance on the floor see figure 5.

## PRODUCT HELPLINE

Australia: 1800 625 123  
New Zealand: (09) 973 2477

help@hyclor.com.au  
www.hyclor.com.au

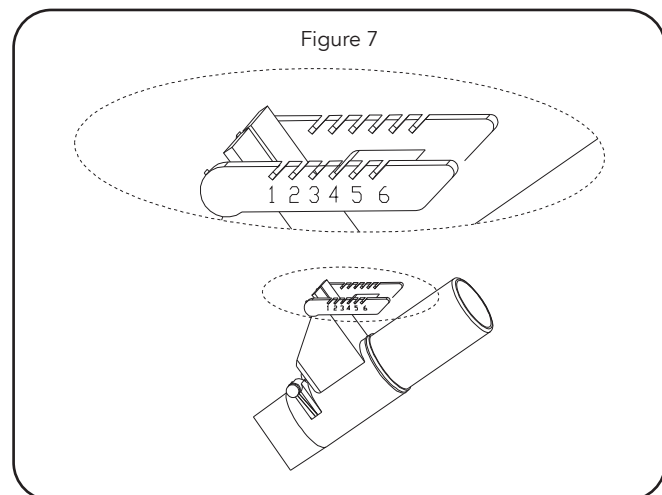
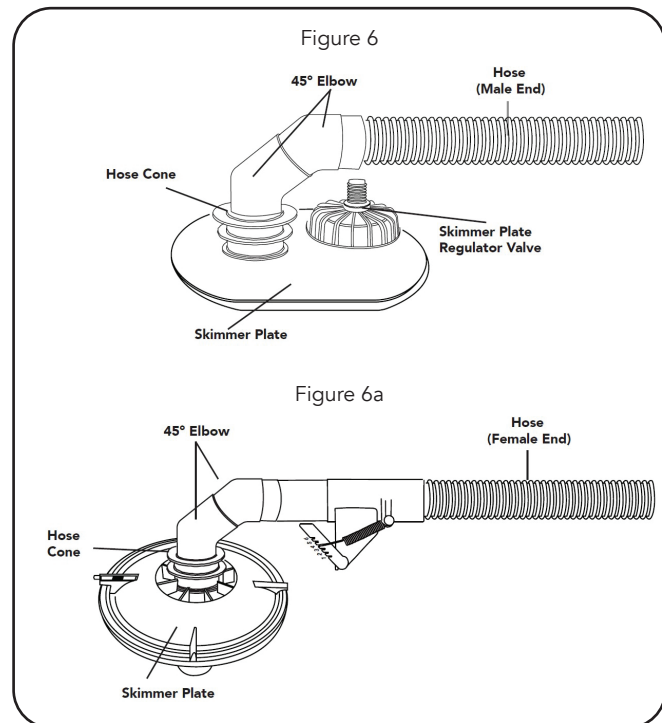
## STEP 5: CONNECTING AND USING THE FLOW CONTROL VALVE

The Regulator Valve ensures your SWIFT pool cleaner receives the flow required to ensure optimum performance.

- Make sure the pool pump is turned OFF
- Expel all the air from the hose
- Attach Regulator Valve to the female hose (smaller end). See Fig 6 and 6a
- Insert the Regulator Valve into the 45 degree elbow (H), The arrow should be facing the elbow. (Figure 6a). Place the first 45 degree elbow into the second then push the smaller end into the hose cone (F). The hose cone Then push's into the vacuum plate (not supplied)
- Turn the pool pump ON
- Your SWIFT pool cleaner will now begin automatically vacuum your pool (adjust water flow if needed)

Please be aware that the vacuum plate or skimmer plate may vary depending on the specific pool model. The pictures provided are meant to serve as a general reference only.

The Regulator Valve is preset between position 3-4. This provides the ideal operating flow in most pools. But if necessary, the flow can be adjusted by using any setting from Position 1 through 6 (1 = minimum flow, to slow your cleaner down, 6 = maximum flow, your cleaner will run faster ). See Fig 7.



### PRODUCT HELPLINE

Australia: 1800 625 123  
New Zealand: (09) 973 2477

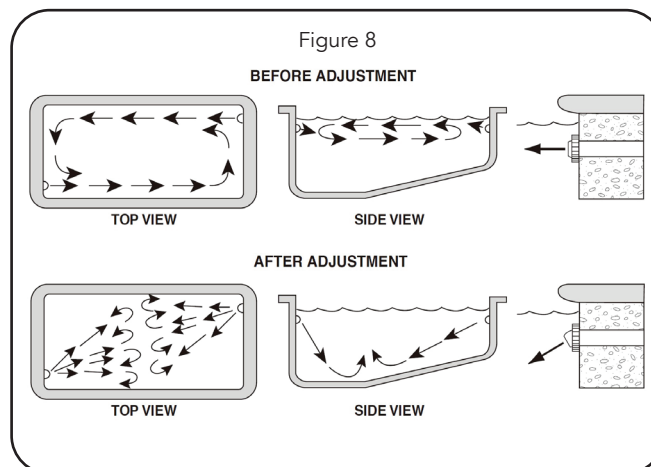
help@hyclor.com.au  
www.hyclor.com.au

## RETURN LINE WATER FLOW

**IMPORTANT:** The Water flow from your return line can push your cleaner's hose and affect its performance. It may cause your cleaner to get stuck or push it away from areas you would like cleaned.

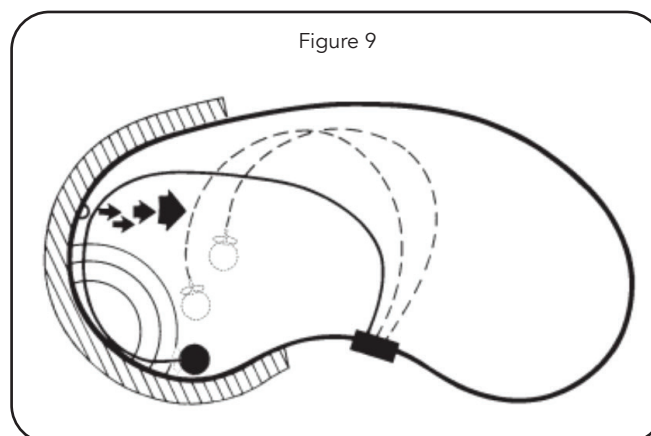
To correct this, adjust the eyeballs in your pool. Figure 8.

A return line diverter is included in the box (G) if you require to change the flow more dramatically than normal eyeballs would allow. Simply remove your eyeball from your pool wall and replace the middle section with the new part (G).



Position the eyeball opening to redirect the return line water flow so it does not interfere with the cleaners movement. Try Different positions to see which works best in your pool:

- Flow directed along side the pool (the tile line)
- Flow Directed downward
- Flow directed against the hose will help steer the cleaner away from obstructions such as stairs/ ladder or corners.



## PRODUCT HELPLINE

Australia: 1800 625 123  
New Zealand: (09) 973 2477

help@hyclor.com.au  
www.hyclor.com.au

## TROUBLESHOOTING

Due to the individual characteristics of your pool, some adjustment may be required to get the best possible performance from your SWIFT pool cleaner. The following tips will help you to optimise the performance of your cleaner.

PROBLEM	SOLUTION
SWIFT does not move, or moves slowly.	<ul style="list-style-type: none"> <li>• Make sure the main drain is closed.</li> <li>• Check the Flow Control Valve and make sure the water flow to SWIFT is sufficient.</li> <li>• Check diaphragm for wear or damage.</li> <li>• Backwash filter and empty pump basket.</li> </ul>
SWIFT gets stuck at steps or in a corner.	<ul style="list-style-type: none"> <li>• Fit Deflector Wheel.</li> <li>• Make sure total hose length is correct.</li> <li>• Try adding or removing one length of hose.</li> <li>• Adjust return line eyeball fittings to use the water flow to help guide SWIFT away from the steps or corner.</li> </ul>
SWIFT does not climb walls.	<ul style="list-style-type: none"> <li>• Adjust Flow Control Valve to increase flow to SWIFT.</li> <li>• Check balance of cleaner to make sure hose weights are in the correct position.</li> </ul> <p><b>NOTE:</b> While the swift is able to climb walls, it is best to get the cleaner working on the floor before aiming to climb the walls.</p>
SWIFT moves in a repetitive, non-random pattern.	<ul style="list-style-type: none"> <li>• Make sure return line fittings are directed downwards.</li> <li>• Check that hose weight position is correct.</li> <li>• Make sure total hose length is correct.</li> </ul>
SWIFT stays in only one end of the pool.	<ul style="list-style-type: none"> <li>• Check the return line flow and redirect if necessary.</li> <li>• Check the total hose length and add more hose if necessary.</li> <li>• Check that hose weight position is correct.</li> </ul>
Air bubbles can be seen in the flow from the return line.	<ul style="list-style-type: none"> <li>• Check the hose to ensure there are no leaks.</li> <li>• Check the connection of the Regulator Valve, to make sure it is underwater at all times.</li> <li>• Check the pump basket lid is fitted correctly, is not loose or cracked and that no o-rings are worn or missing. If necessary, contact your pool professional or assistance.</li> </ul>
SWIFT falls on its side.	<ul style="list-style-type: none"> <li>• Make sure the Outer Extension Pipe swivels freely.</li> </ul>
Hose won't fit Regulator Valve.	<ul style="list-style-type: none"> <li>• Make sure you are using the Female end of the hose. It is a very tight fit to ensure no leaks.</li> </ul>
Diaphragm Wears down Prematurely.	<ul style="list-style-type: none"> <li>• Slow down your swift, by reducing the flow through the cleaner. (using the flow control valve). If there is too much flow the Diaphragm will wear below the retaining ring. A small reduction in speed can result in a substantial increase in the life of the Diaphragm.</li> <li>• Diaphragms can stretch and become less effective. Remove the cleaner from the pool, check the diaphragm for tears or excessive stretching by inserting a \$2 (aus) coin into the diaphragm while holding it upright. If the coin passes through without shaking or prodding, replace the diaphragm.</li> </ul>

## ROUTINE MAINTENANCE

To maintain the performance of your SWIFT pool cleaner:

- When removed from the pool, make sure the hose is stored straight in shade. Never coil the hose as this may cause distortion which may adversely effect the SWIFT.
- Remove the SWIFT (including hose) before chemical treatment. Wait a minimum of 4 hours after super chlorination (shock treatment) of your pool before re-installing the SWIFT.
- Clean the filter, skimmer basket and pump basket regularly
- When not in use, keep the SWIFT Skirt flat to avoid risk of warping
- Periodically inspect your SWIFT for signs of wear. If necessary, replace any worn parts.

**NOTE:** Due to the harsh conditions in which your cleaner operates, its colour may fade and discolour over time.

## PRODUCT HELPLINE

Australia: 1800 625 123  
New Zealand: (09) 973 2477

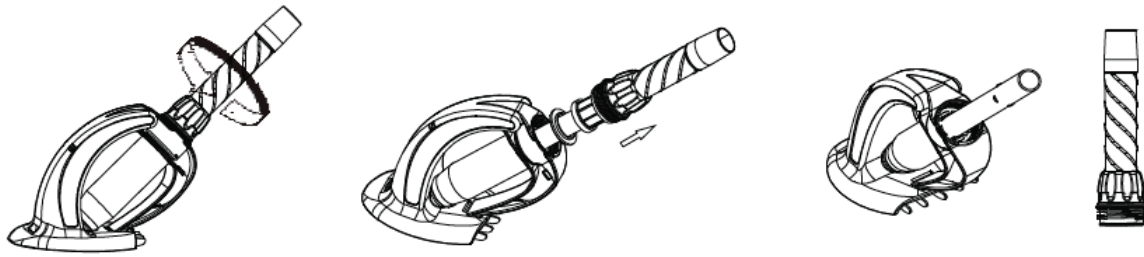
help@hyclor.com.au  
www.hyclor.com.au



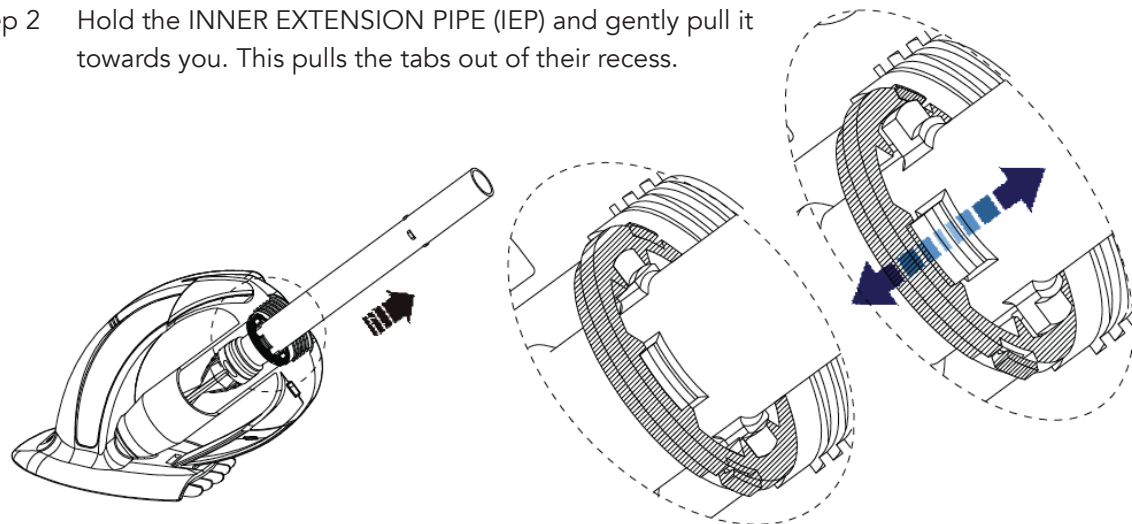
## TROUBLESHOOTING

The diaphragm of your SWIFT pool cleaner operates at the rate of approximately 360 beats per minute. If your SWIFT operates daily for 8 hours, the diaphragm will open and close over 60 million times in a year! The design has been perfected over many years and, properly cared for, the diaphragm will provide long service. When it becomes worn or damaged and needs to be replaced, simply follow these easy steps:

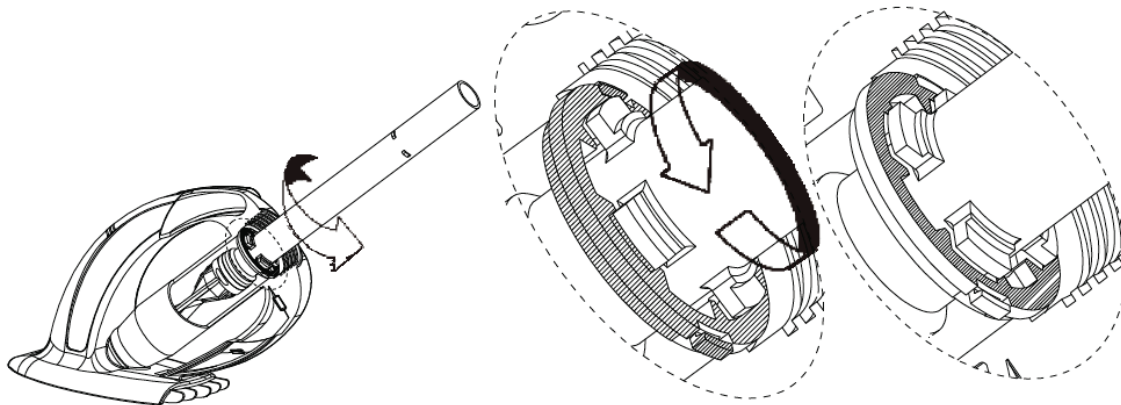
Step 1 Unscrew the HANDNUT and remove it, together with the OUTER EXTENSION PIPE and the THRUST WASHER. Place these items to one side.



Step 2 Hold the INNER EXTENSION PIPE (IEP) and gently pull it towards you. This pulls the tabs out of their recess.



Step 3 Turn the INNER EXTENSION PIPE so the tabs line up with the holes in the IEP LOCATOR. **Do not remove the INNER EXTENSION PIPE from the BODY.**

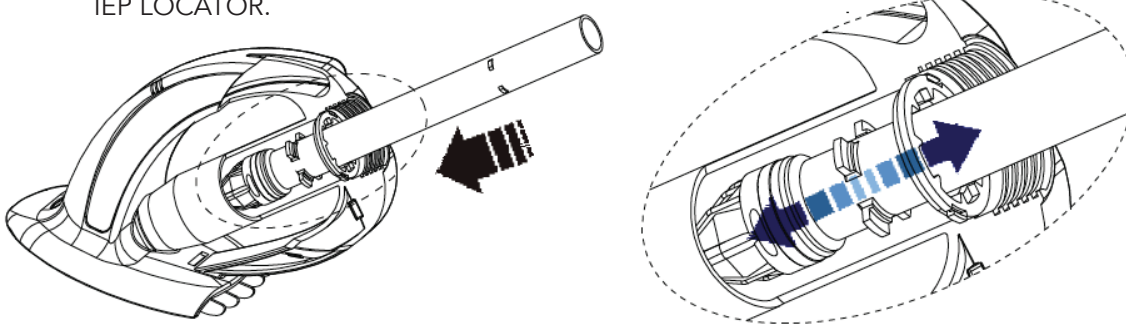


## PRODUCT HELPLINE

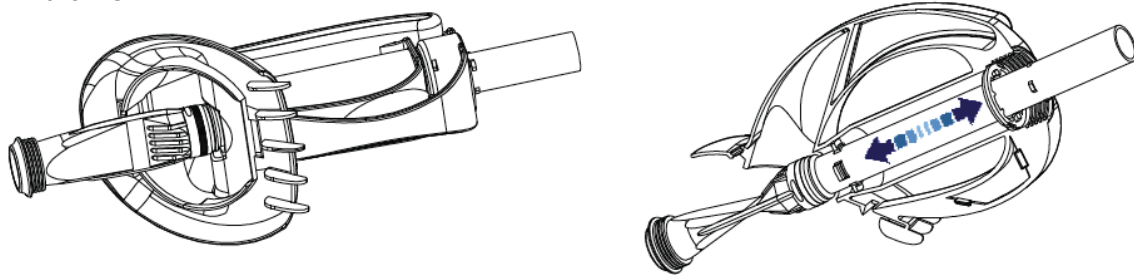
Australia: 1800 625 123  
New Zealand: (09) 973 2477

help@hyclor.com.au  
www.hyclor.com.au

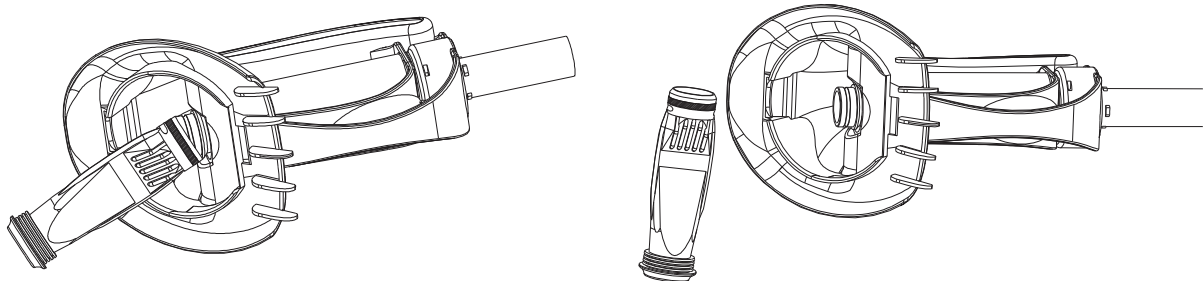
Step 4 Push the INNER EXTENSION PIPE away from you, so the tabs go through the holes in the IEP LOCATOR.



Step 5 Grasp the other end of the DIAPHRAGM (the end furthest away from the INNER EXTENSION PIPE) and pull it away from the Orbit BODY. The DIAPHRAGM will fall clear of the BODY.



Step 6 Twist the DIAPHRAGM, removing it from the INNER EXTENSION PIPE.



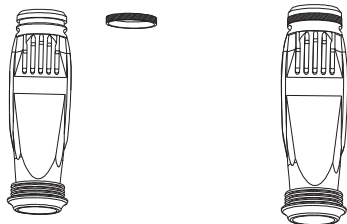
Step 7 Remove the RETAINING RING from the DIAPHRAGM. Discard the used diaphragm.

**PRODUCT HELPLINE**

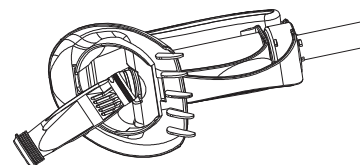
Australia: 1800 625 123  
New Zealand: (09) 973 2477

help@hyclor.com.au  
www.hyclor.com.au

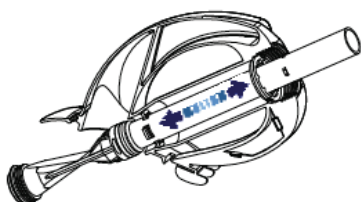
(a) Fit the RETAINING RING onto the new DIAPHRAGM.



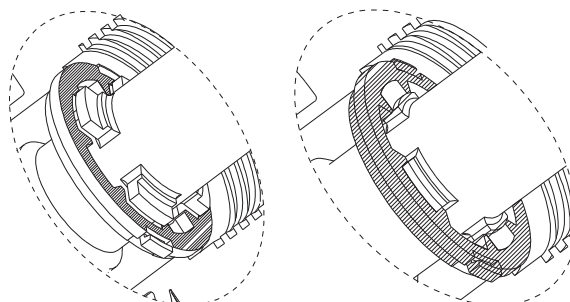
(b) Push the DIAPHRAGM onto the INNER EXTENSION PIPE. Make sure it is correctly located and fully engaged.



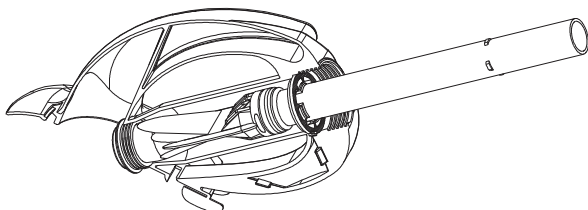
(c) Pull the INNER EXTENSION PIPE up through the BODY, positioning the tabs so they can be pulled through the holes in the IEP LOCATOR.



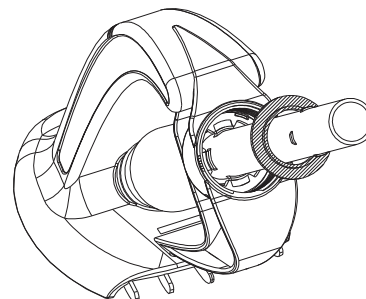
(d) Gently turn the INNER EXTENSION PIPE so the tabs are aligned with the recesses in the IEP LOCATOR. Release the INNER EXTENSION PIPE.



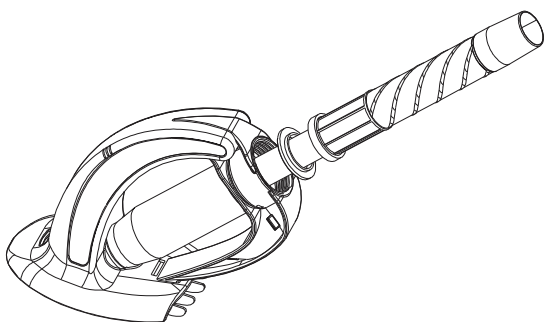
(e) Check that the DIAPHRAGM is correctly located. If it has become twisted during installation, simply untwist by slightly turning the open end of the DIAPHRAGM.



(f) Slide the THRUST WASHER over the INNER EXTENSION PIPE. The flat side (widest diameter) of the THRUST WASHER should be face down.

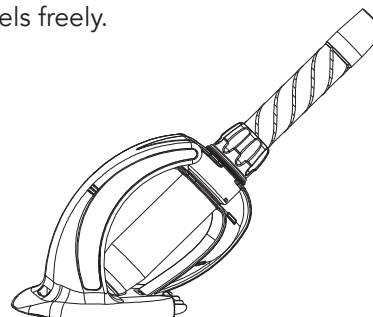


(g) Place the OUTER EXTENSION PIPE over the INNER EXTENSION PIPE.



(h) Screw the HANDNUT into place, to lock the assembly. **Be careful not to over-tighten the Handnut.**

(i) Check that the OUTER EXTENSION PIPE swivels freely.



**PRODUCT HELPLINE**

Australia: 1800 625 123  
New Zealand: (09) 973 2477

help@hyclor.com.au  
www.hyclor.com.au



**HY-CLOR AUSTRALIA PTY LTD**  
**ABN: 81 000 655 381**

**178 Power Street**  
**Glendenning, NSW 2761 Australia**

**Australia: 1800 625 123**  
**New Zealand: (09) 973 2477**

**[help@hyclor.com.au](mailto:help@hyclor.com.au)**  
**[www.hyclor.com.au](http://www.hyclor.com.au)**