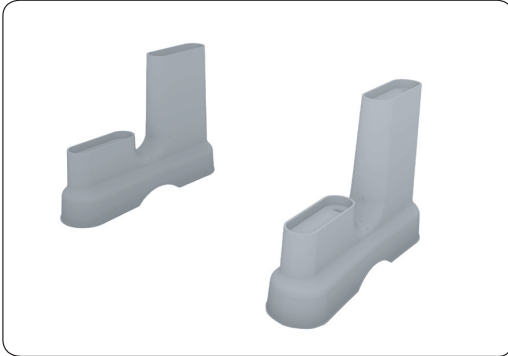


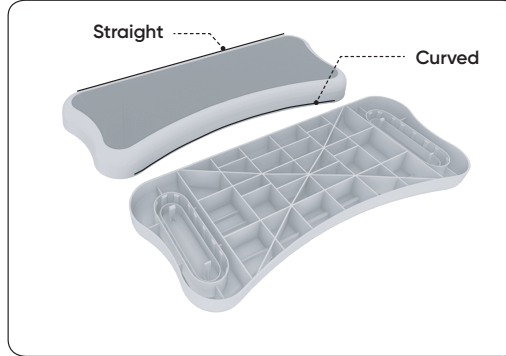
SPA STEP TWO STEPS

The Spa Step - Two Step is easy to assemble and can handle a maximum bearing weight of 200kg. This spa step is designed for both square and round spas, featuring reversible step panels. It can be assembled with the straight edge of the panel at the back for square spas or the curved edge at the back for round spas.

List of Parts:



Support bracket x 2 (both support brackets are identical)

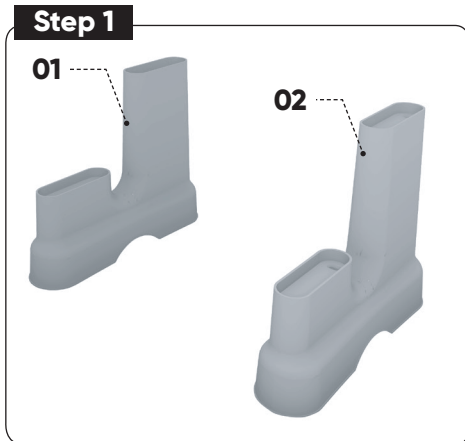


Step panel x 2 (both step panels are identical)

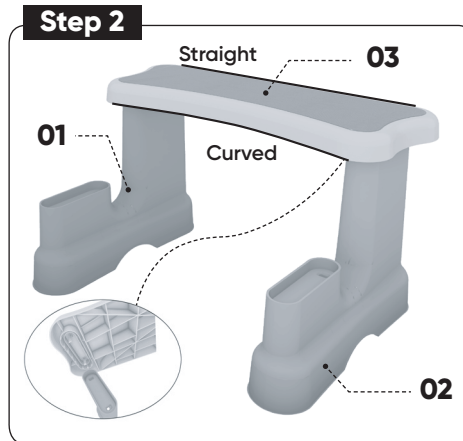
Safety Precautions:

Regularly inspect the steps for any signs of damage. Ensure the steps are placed on a flat and stable surface to prevent tipping or shifting; do not use them on a slippery surface. Keep the steps out of reach of small children and ensure they are under competent adult supervision when in use. Use caution when the steps are wet, as they may become slippery. Avoid prolonged exposure to extreme temperatures, as this can weaken the plastic.

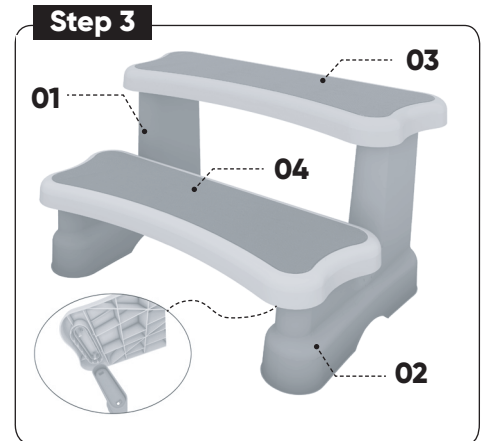
For Square Spas:



Place both support frames upright and around 55cm apart.

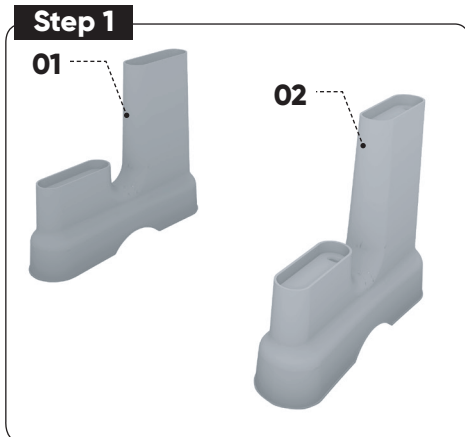


Align the step panel with the supporting frames and press down. The lugs on the support frame will clip into the step panel. Make sure that the lugs are securely seated.

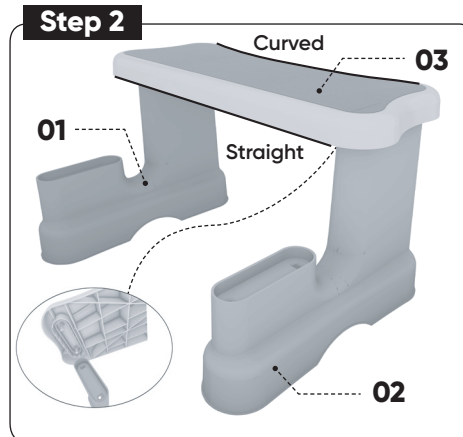


Secure the second step panel in the same way.

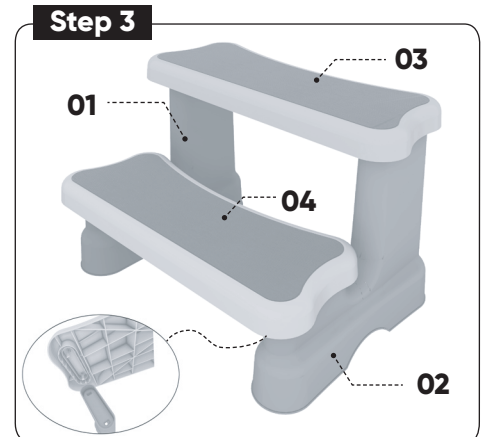
For Round Spas:



Place both support frames upright and around 55cm apart.



Align the step panel with the supporting frames and press down. The lugs on the support frame will clip into the step panel. Make sure that the lugs are securely seated.



Secure the second step panel in the same way.