

Step 1 – Assembling

1

a

b

c

- Insert the flipper (a) into the cleaner, ensuring that its notch is aligned with the groove (b) on the right side of the cylinder. It should click into place. Push rubber cap (c) into round opening on (b).

2

- Fully assembled.
- **Please note:** All robots are tested. It is normal to see some moisture when first opened.

Step 2 – Charging

3

- Remove the rubber cap from the charging port, and ensure it is dry.
- **Always dry the charging terminals. Do not charge if wet**

5

When fully charged! All 4 lights will be green.

- Fully charge your device before first use.
- It could take up to 2.5 hours to charge.

4

- Insert charger cable into the charging port, and keep your device at least 3m away from pool.
- **Do not charge if it is wet. Wait until it is completely dry.**

Step 3 – Customise your cleaning cycle

(Ensure your robot is fully charged before choosing a cycle)

6

- Turn on the device, and you will hear a beep. The LED lights will turn to solid blue.

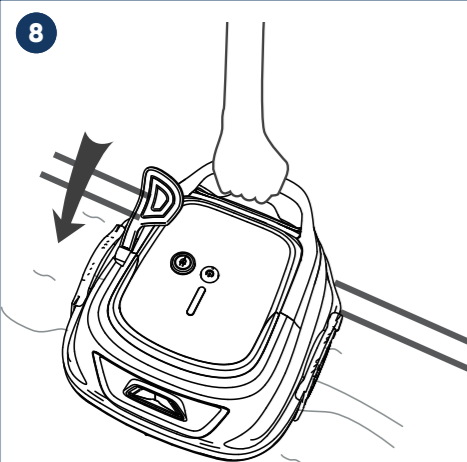
7

- $\frac{1}{4}$ ◦ 120min*1 (Default Cycle)
- $\frac{2}{2}$ ◦ 60min*2 (2 days in a row)
- $\frac{3}{3}$ ◦ 40min*3 (3 days in a row)
- $\frac{4}{4}$ ◦ 30min*4 (4 days out of 7)

- Press the power button to toggle between cleaning cycles.
- **For more information on cleaning cycle, please refer to the user manual.**

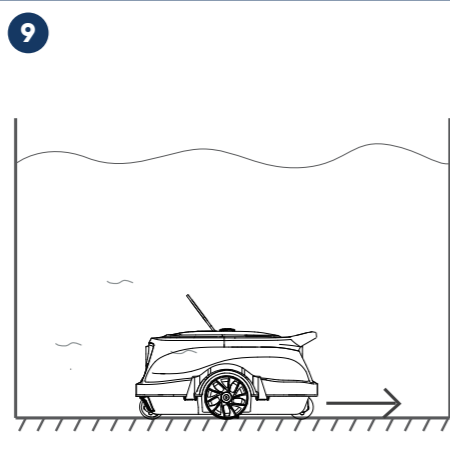
Step 4 – Submerging the device

8



- Submerge the device into the pool gently via the handle.
- Do not throw the i1 into the pool.

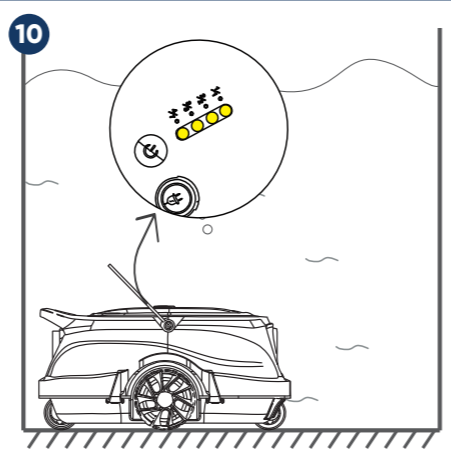
9



- The i1 cleaner will auto-calibrate for 15 seconds
- The LED will start to flash blue and start its cleaning cycle.

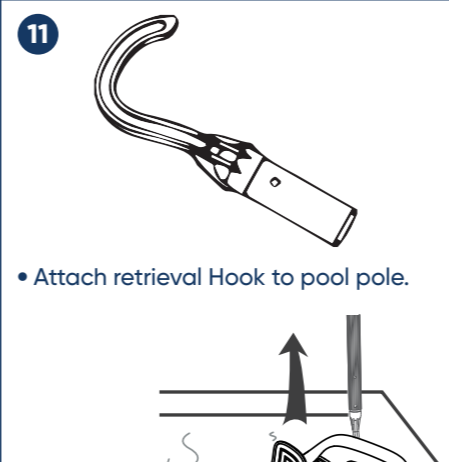
Step 5 – Removal from the pool

10



- The i1 will attempt to auto park by the wall when completing its set cleaning cycle.
- If you have set a cycle other than the default (1/1), you should leave the robot in the pool to complete whole cycle.

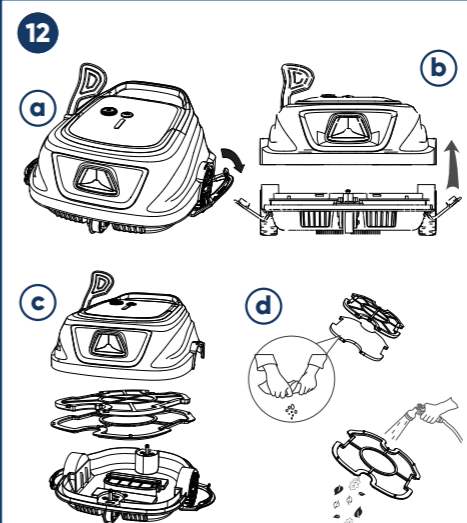
11



- Attach retrieval Hook to pool pole.
- Hook it out of the pool.

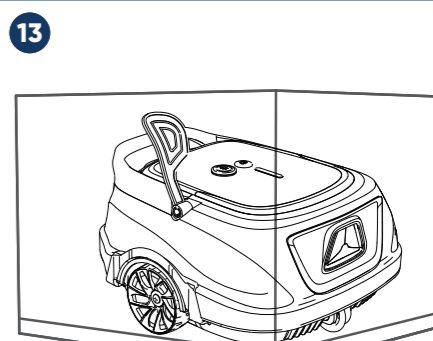
Step 6 – Cleaning the filter

12



- You should clean the filter after use. Insufficient cleaning may effect cleaning results.

13



- Store the cleaner in a ventilated place and keep it out of direct sunlight or inclement weather.
- Charge the device at least every 1-3 months to maintain battery performance during the offseason.