



**BATTERY  
ROBOTIC POOL CLEANER  
FLOOR ONLY**



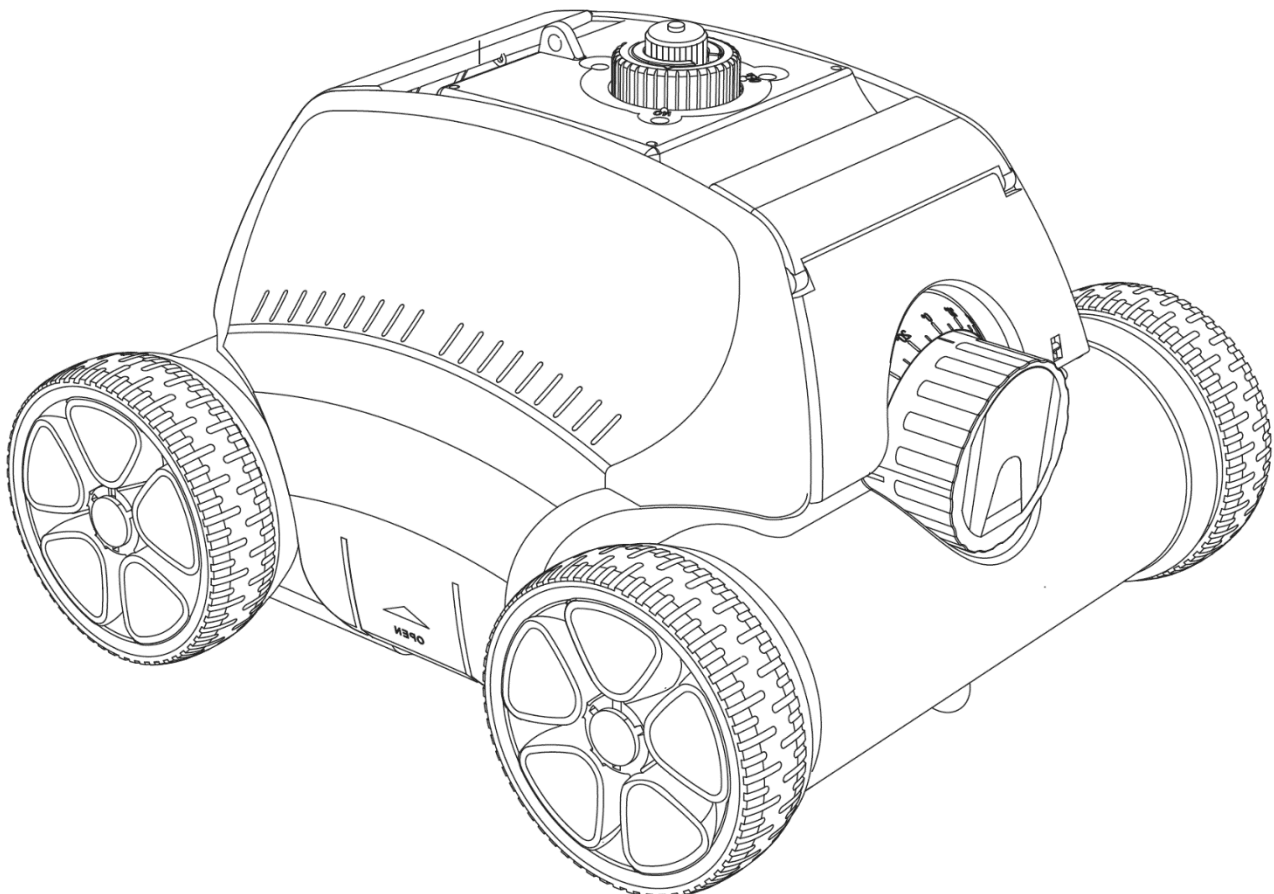
**INSTALLATION & OPERATION MANUAL**



Thank you for purchasing Hy-Clor i2 Robotic Pool Cleaner. If you have any questions or issues, please contact Hy-Clor on 1800 625 123 or 09 973 2477 (NZ).

## Table of Contents

<b>Important Precautions</b> .....	1
<b>I. Introduction</b> .....	2
<b>II. Appearance characteristics &amp; structure</b> .....	2
<b>III. Specifications</b> .....	3
<b>IV. Packing list</b> .....	3
<b>V. Operation instruction</b> .....	4
<b>VI. Troubleshooting</b> .....	14
<b>IV. Warranty Terms and Conditions</b> .....	15





## Important Precautions

1. Read the manual carefully and strictly follow all instructions provided for safe usage, including keeping children away from the cleaner to prevent accidents or misuse as a toy.
2. Use only the accessories recommended or sold by Hy-Clor to ensure compatibility and safety.
3. The i2 Battery Cleaner is specifically designed for swimming pools with a flat floor and a maximum incline of up to 20 degrees. **However, 15 degrees is optimal.** Please ensure your pool meets these requirements. Additionally, do not attempt to power on the cleaner when it is out of the water, as it is designed for underwater use only.
4. **ALWAYS DRY THE CHARGING PORT BEFORE CHARGING THE i2 ROBOT CLEANER and make sure that the protective cap is placed over the charging port before placing the robot in the pool.**
5. **NOTICE FOR VINYL LINER POOLS:** Prior to the installation of your i2 cleaner, carefully inspect your vinyl pool liner. If the vinyl liner is wrinkled, worn, aged, brittle or has bumps/roots/stones underneath the liner, do not install the pool cleaner without first consulting a qualified Pool Professional to assess and/or perform necessary replacement or repairs. Hy-Clor is not responsible for liner damage caused by a pool cleaner
6. Only use the original and authorized power charger provided with the cleaner to ensure proper charging and to prevent damage.
7. If the power cable or charger gets damaged, contact Hy-Clor for advice or a replacement.
8. Always use a grounded and leakage-protected wall socket when recharging the device. Store the charger away from heat sources.
9. Do not operate the cleaner while there are people or pets in the pool.
10. Ensure that the power is off when the cleaner is not in use or during maintenance.
11. Store the robot and charger in a cool, well-ventilated place away from direct sunlight.
12. After each use, thoroughly clean and wash the filter tray to maintain optimal performance. This will also help prevent any blockages or damage to the cleaner.
13. Do not attempt to disassemble the sealed driving kit of the cleaner. This will void any warranty and could be unsafe.
14. Removing the impeller covers is advised if debris has lodged in the impeller. Contact Hy-Clor for instructions and guidance before attempting.
15. If the cleaner will be stored for a long time, it is advisable to charge and discharge it every three months. This helps maintain battery life and performance.

## I. Introduction

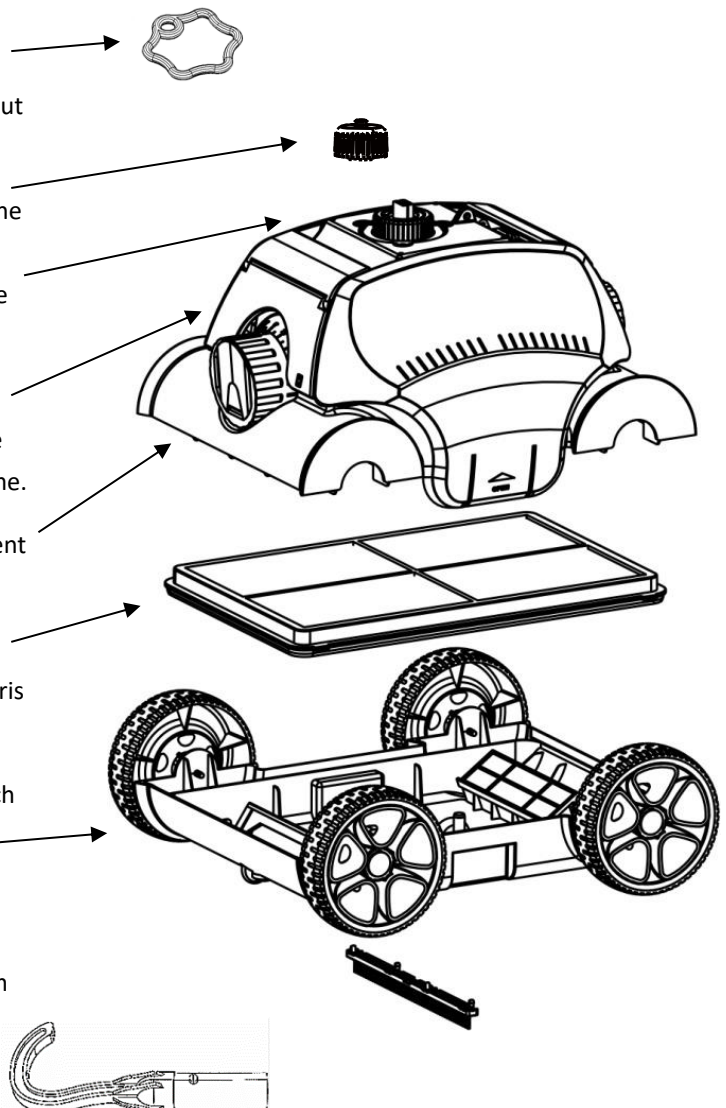
- The Hy-Clor 'i2' is a rechargeable, battery-driven automatic pool cleaner.
- It is designed for pools with a flat floor and a maximum incline of 15-20 degrees.
- The device has wheels, not rollers, so it will not clean all the way to the waterline.
- It can partially ascend curved boundaries between the floor and the walls of a pool but will not climb walls or steps.
- When the battery runs out, the device will "self-beach" and rest beside the pool wall.
- The floating handle can be easily reached to pull the device out of the pool.
- It is important to read the manual carefully before using the device.

**Please read this manual carefully before use.**

## II. Appearance characteristics & structure

Key Components:

1. **Floating Handle:** The floating handle is tied to the chassis by a rope, allowing the device to be pulled out of the water when necessary.
2. **Protective Cap:** to protect the charging port while the robot is in the Pool or not in use.
3. **Carry Handles:** There is a carry handle on either side of the robot.
4. **Top Cover:** The top cover can be easily removed by gently pulling on the clips located at the sides of the device. It is best to unclip both sides at the same time.
5. **Swing Plate:** The swing plate facilitates the movement of water through the device while it is in motion.
6. **Filter Tray:** The filter tray is positioned between the top cover and the chassis, providing a space for debris to accumulate within the chassis.
7. **Chassis:** The chassis houses important elements such as wheels, inlet slots, and debris collection tray.
8. **Brush:** The sweeping brush is attached to the underside of the chassis.
9. **Retrieval Hook:** Used to collect cleaner from bottom of pool



### III. Specifications

#### Product information:

Name: Hyclor i2  
 Model: Hj1103  
 Size: 400 (L) \* 360 (W) 270 (H) mm  
 Weight: 5.8kg

#### Performance and Capacity:

Max. cleaning surface: 100m<sup>2</sup>  
 Filter capacity: approx. 10m<sup>3</sup>/h  
 Filter capability: 180µm  
 Climbing slope: 15°  
 Pool water temperature: 10°-35°C  
 Speed: approx. 16m/min  
 IP Grade: IPX8 (main body)  
 Max. working depth: 2.0m  
 Max. working time: 120min

#### Power Specifications:

Power: 50W  
 Working Voltage: 12.6V  
 Input Voltage (adapter): 100Vac- 240Vac  
 Input power of adapter: 47Hz-63Hz  
 Output current of adapter: 1.8A  
 Output voltage of adapter: 12.6V  
 Battery capacity: 6600mAh  
 Charging time: 5 to 6 hours  
 Charging environment temperature: 0°-45°C

#### Storage conditions:

Alternate Names: Environmental Conditions  
 Short term (less than 1 month): -20°C to +60°C,  
 ≤75%RH  
 Medium-term (less than 3 months): -20°C to  
 +45°C, ≤ 75%RH  
 Long term (more than 3 months): -20°C to  
 +20°C, ≤75%RH

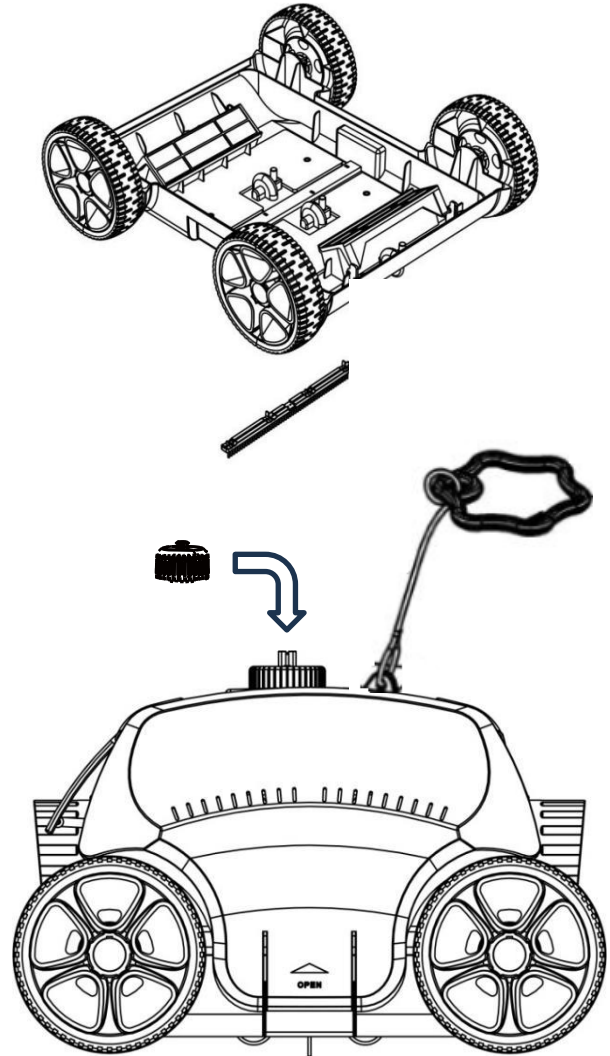
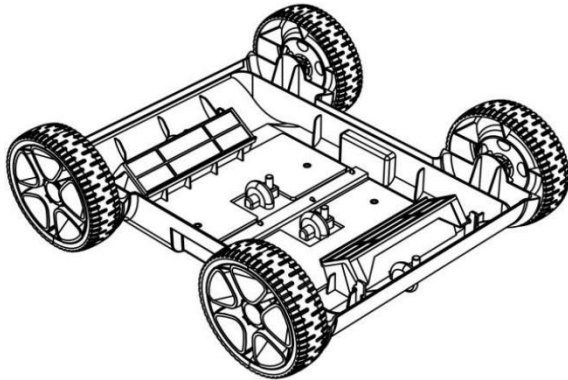
### IV. Packing list

Item	Name	SKU	QTY (pc)
1	Cleaner body	HYCROBOTI2	1
2	Charger	SPROBOTi2CHAR	1
3	User manual	n/a	1
4	Brush	SPROBOTi2BRU	1
5	Handle rope (2.15m)	n/a	1
6	Floating handle	SPROBOTi2FH	1
7	Retrieval Hook	SPROBOT-HOOK	1

## V. Operation instruction

### Before Use:

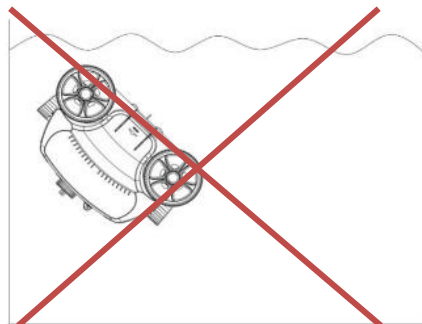
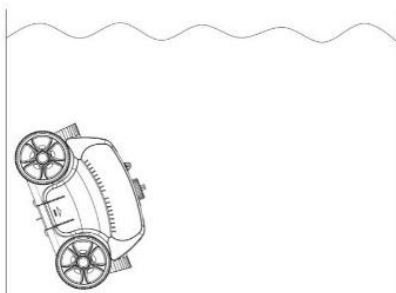
- Install the brush before use to avoid possible dirt leaks.
- The Sweeping brush Snaps into the outside of the bottom of the i2 Robot.



- Tie the cord of the floating handle to the tether area on top of the robot (the same area that the charging port protector cap is attached to).
- Make sure the Charging port protector cap is tightly secured over the charging prongs.

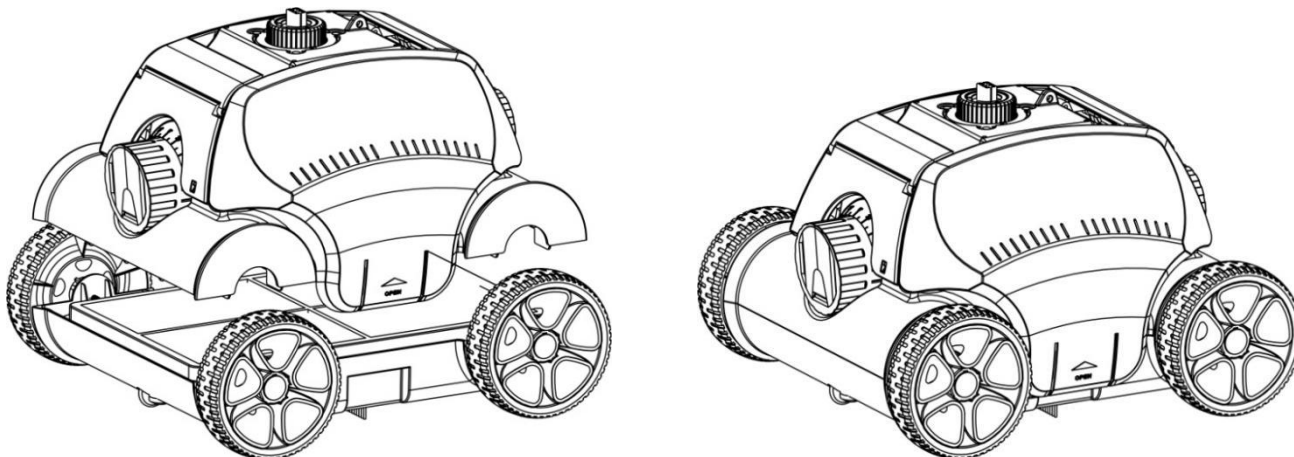
### 1. Precautions

- Place the robot in the pool with the wheels towards the wall to avoid any possible scratches to the pool.
- Do not throw the cleaner into the pool or put it in upside down. Place it gently in the pool.





- c. Please ensure that the top cover of the cleaner is tightly assembled to its chassis.



- d. Turn the power selector to off, once the cleaner has been removed from the pool.
- e. To prevent damaging the pool surface, or the cleaner, avoid touching the wall when putting the cleaner in, or taking the cleaner out, of the pool. This is particularly important on vinyl and fiberglass pools.
- f. When removing the cleaner from the pool, hold the cleaner on the water surface for 10-15 seconds allowing it to drain.

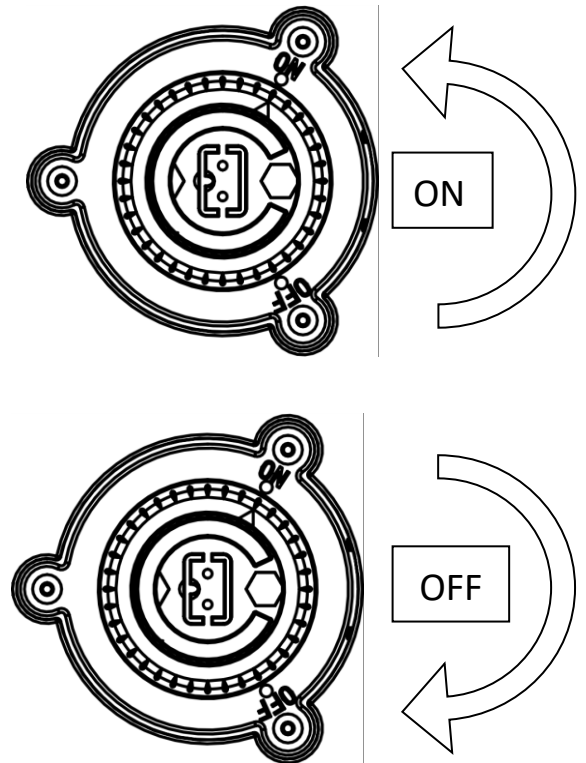
## 2. Before Use

1. Turn the switch knob **OFF** before charging.
2. Clean and dry the charging port before charging. **(The Port must be dry before charging the i2).**
3. Charge the battery by plugging the charging port into the cleaner.
4. **The i2 Robot takes approximately 5-6 hours to fully charge the battery.** The indicator light on the charger will change from red to green when it has charged.
5. Set the jet nozzles on the cleaner to the required angles (see next section).

Charger indicator (On Charger)	Status
Red	Battery is charging
Green	Charging is finished

## Turning on the device

- There is a circular switch knob at the top of the device.
- The arrow on the knob should be pointing in the direction of the OFF position.
- To turn on the device, rotate the switch knob in an anticlockwise direction by one-third of a turn, to the “on” position.
- A blue indicator light will turn on, indicating that the device is on.
- Once switched on, immediately place the robot in the water.
- **Remember to hold the floating cord and have it unravel as you guide it toward the bottom.**



## Removing the device from the pool.

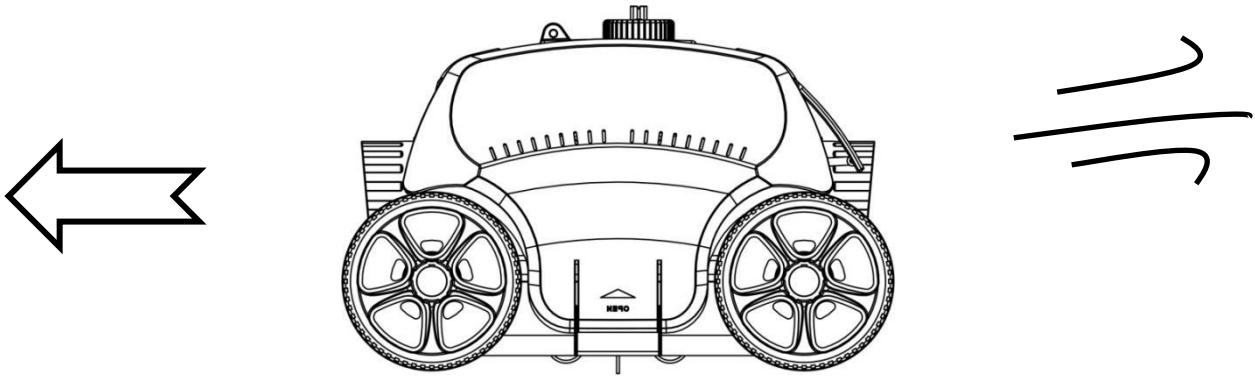
- When the robot runs out of battery power, it will come to a stop near the pool wall.
- Grasp the floating handle and lift the robot from the pool floor.
- While lifting the robot to the surface, be careful to not bump the robot against the pool wall. This could damage both the robot and the pool.
- Once the robot reaches the water's surface, hold it using one of the top handles and turn it off by rotating the switch knob about one-third of a turn in a clockwise direction to the “off” position.
- Keep the cleaner on the water's surface for approximately 10-15 seconds to allow it to drain any water before removing it from the pool.

## INDICATORS

Status	Indicator
<b>Switch on:</b>	Blue light is steady
<b>Switch off:</b>	Red light flashes once then powers off
<b>The cleaner is out of water:</b>	Blue light flashes rapidly
<b>The cleaner is working in the pool:</b>	Blue light flashes
<b>The working cycle has finished (low battery):</b>	Red light is steady
<b>Faults:</b>	Red light flashes

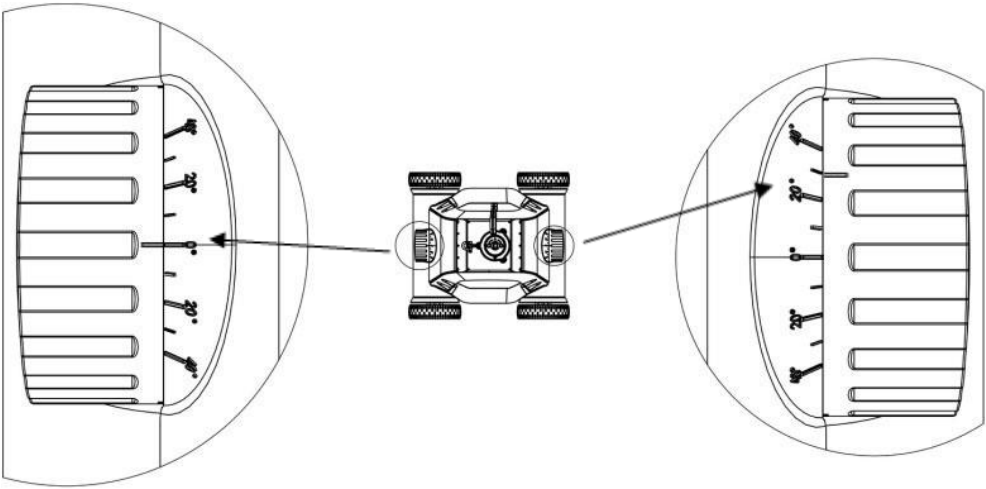
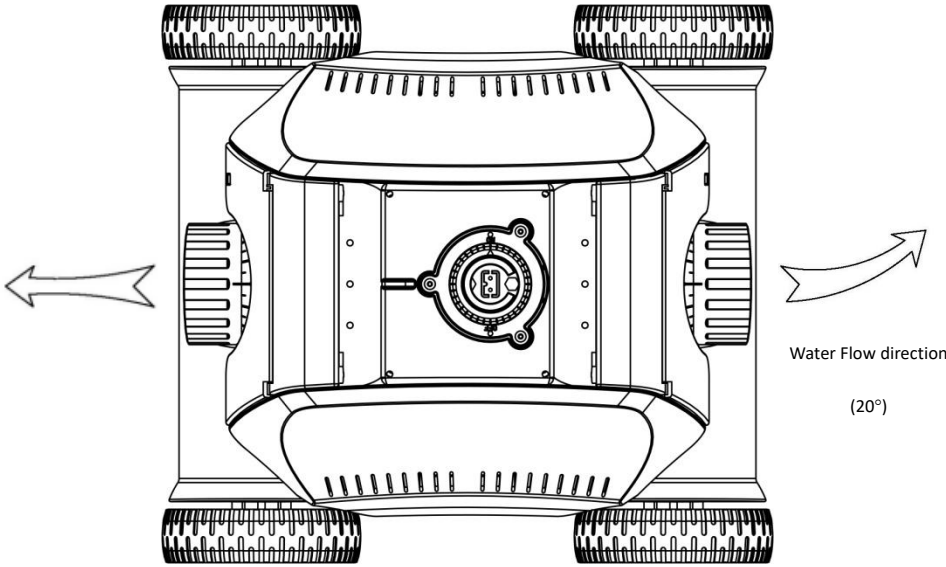
### 3. Functions and adjustment of nozzles

There are two jet nozzles on the cleaner, one of them opens once the other closes. Water flows out through the open nozzle to thrust the cleaner forward. Adjusting the nozzles controls the path that the robot follows. Experimentation with different settings might be needed to find the optimum coverage for your pool size and shape.

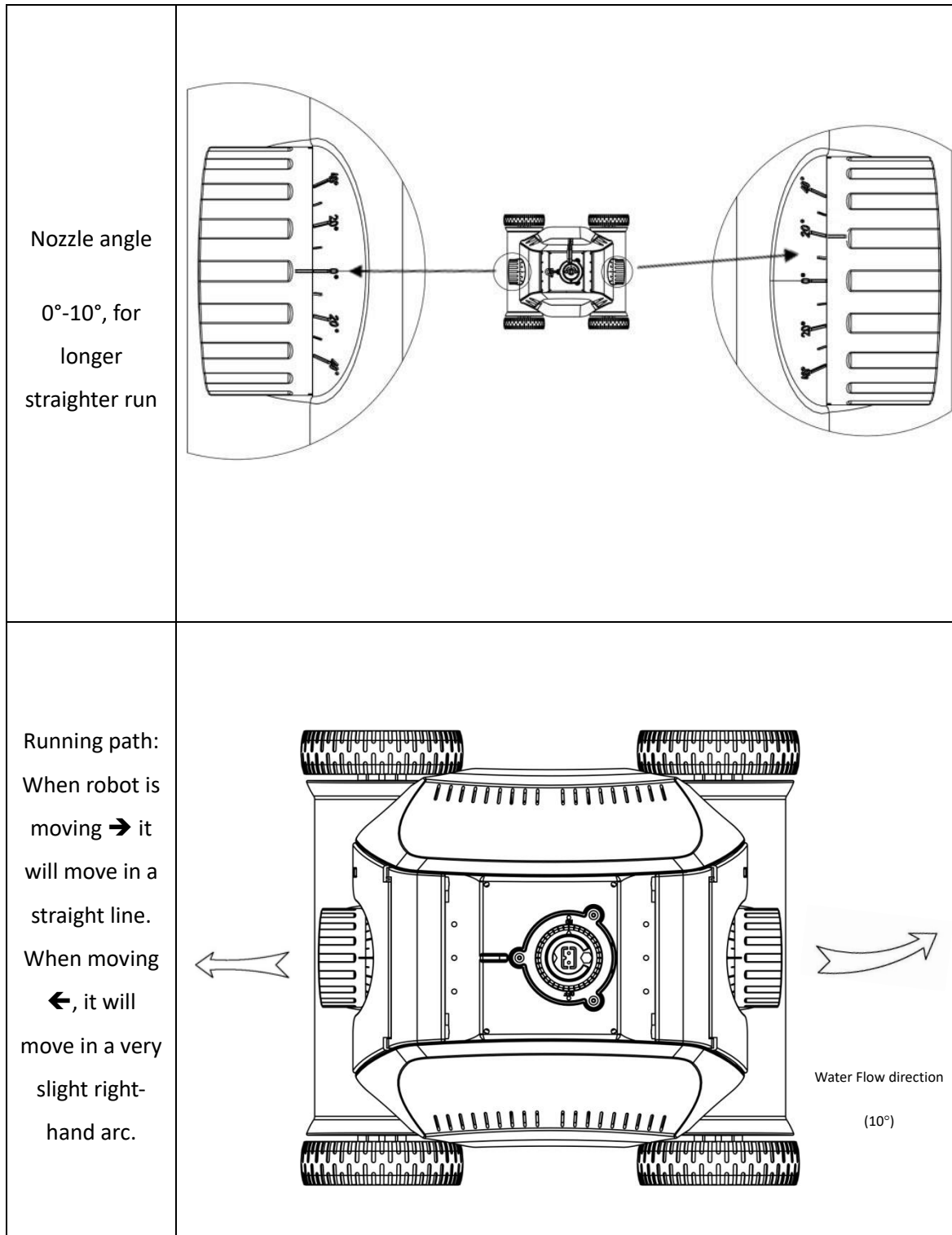


#### a. Setting nozzle angle and cleaner route

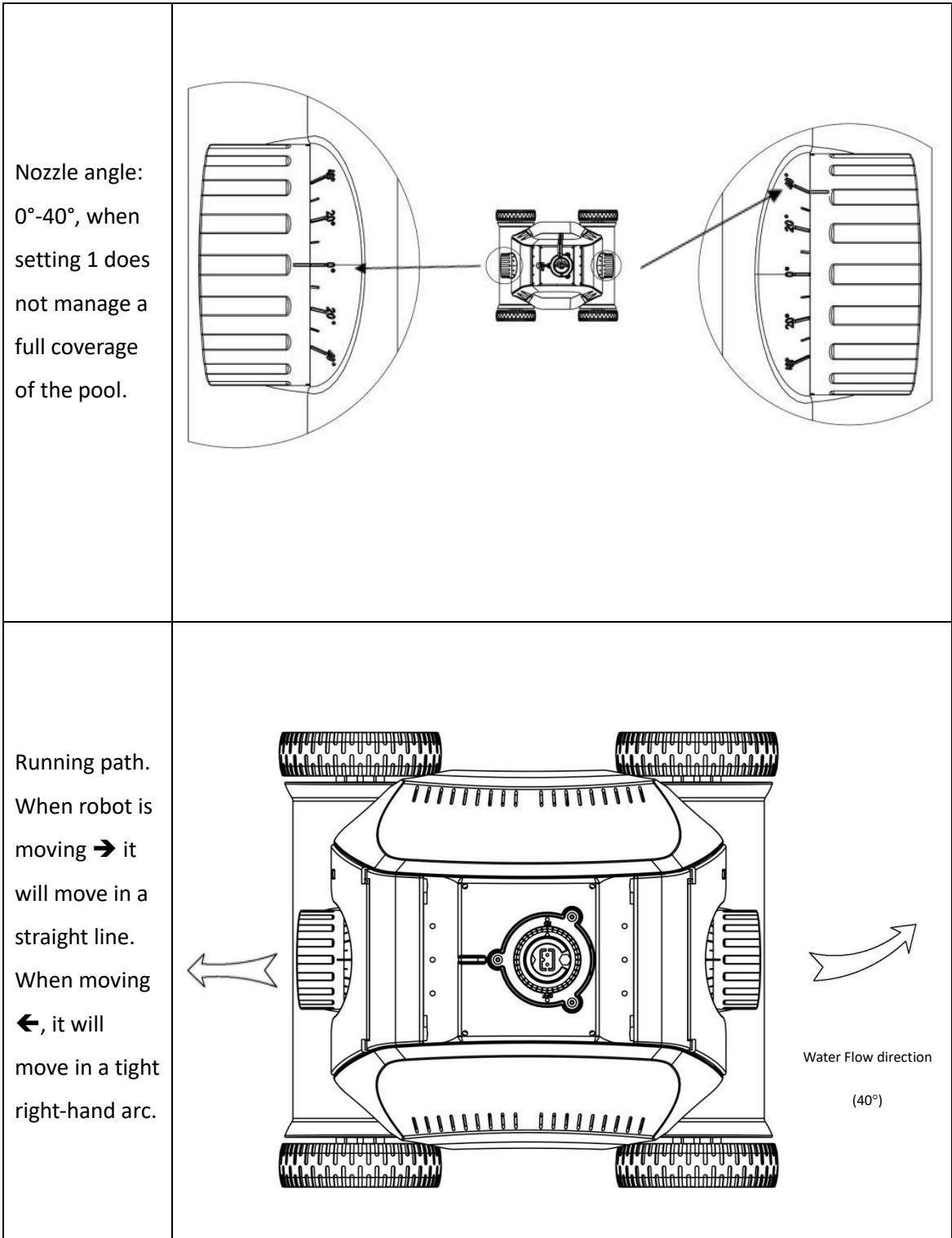
- The nozzles of the cleaner are marked with angles (0°-40°).
- The cleaner moves in an approximately straight line when the nozzle angle is 0°.
- The cleaner moves in a more curved line at a larger angle from 0°-40°.
- See the next few pages for basic nozzle adjustment solutions.
- The i2 is normally best set up on the shallow end and shortest side of the pool. With 0° on one side and 20° on the other.
- Try to only adjust one side of the machine and keep the other at 0°

<p><b>Setting 1:</b> Nozzle angle: 0°-20°, Default setting for most pools.</p>	
<p>Running path:  (0°)  When robot is moving → it will move in a straight line.  When moving ←, it will move in a slight right- hand arc.</p>	

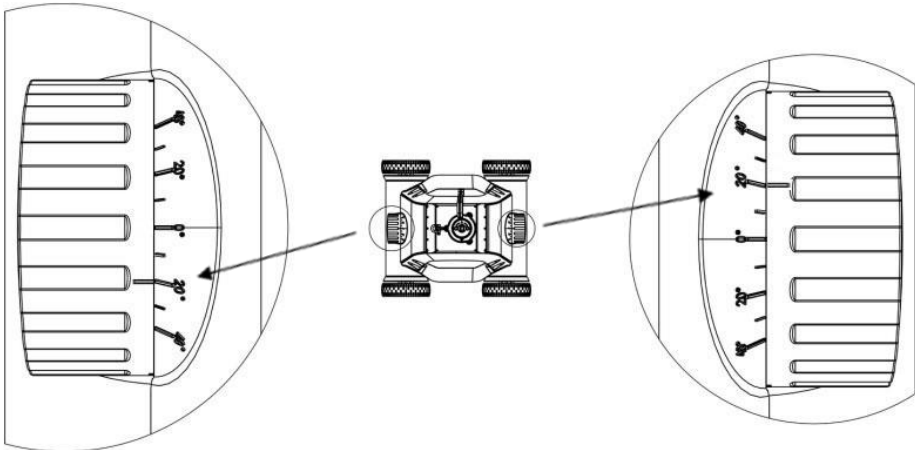
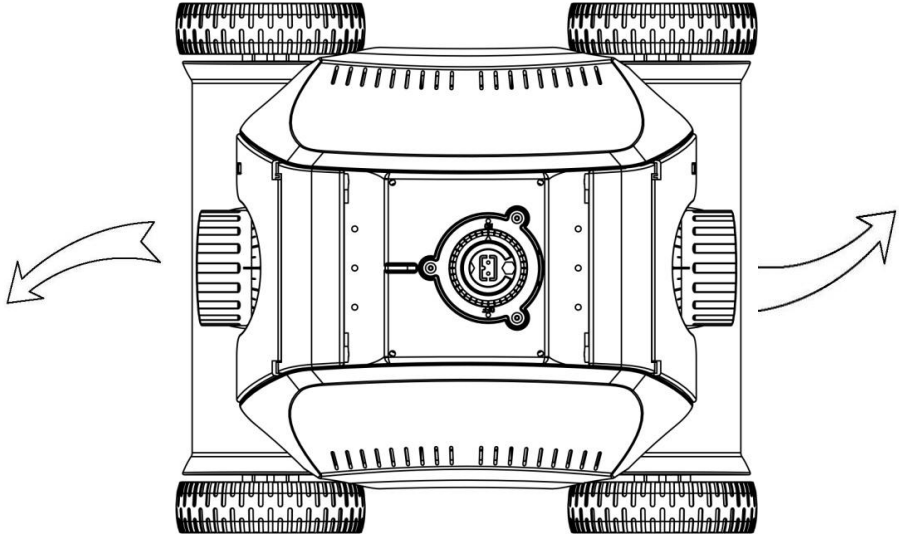
**Setting 2:** 0°-10°, longer straight run required before turning (lap Pools would benefit the most)



**Setting 3:** 0°-40°, when setting 1 does not manage a full coverage of the pool.



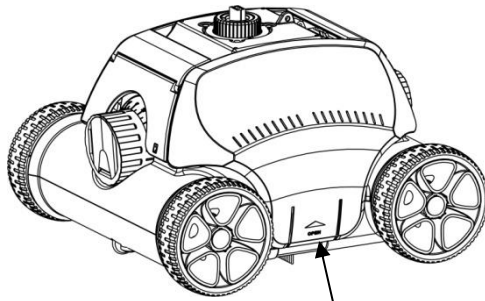
**Setting 4:** 20°-20°, for round pools.

<p>Nozzle angle: 20°-20°, for round pools</p>	
<p>Running path. Robot moves in a circle but moves in the opposite arc when it encounters an obstruction.</p>	

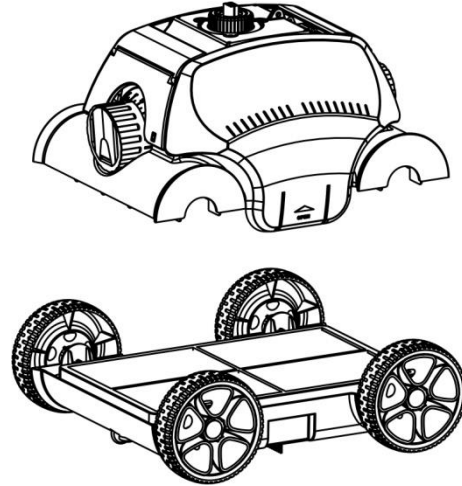
Note: These are the recommended settings. Different settings may work better for your pool.

#### 4. Clean the filter tray

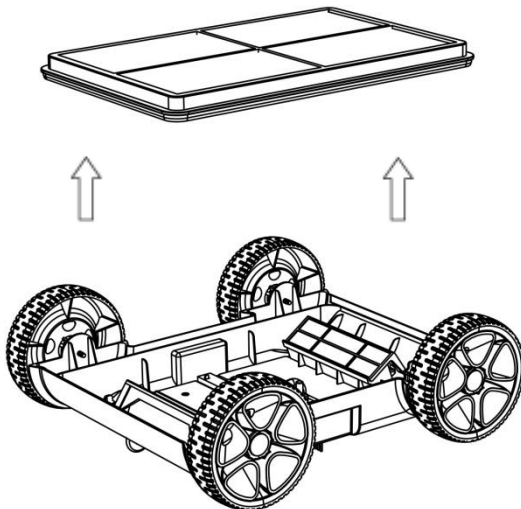
- a. Open the cleaner by gently pulling out the 2 side clips on the top cover.



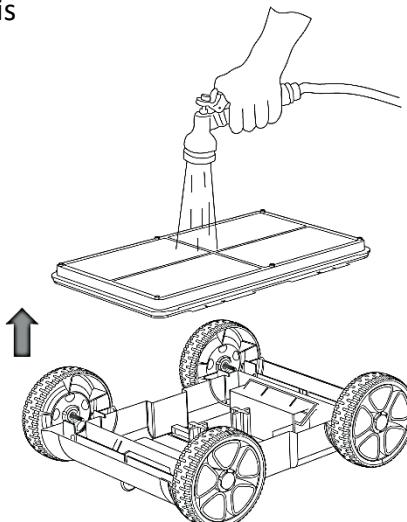
Pull outwards on both sides at the same time to open it.



- b. Lift the filter tray off the chassis

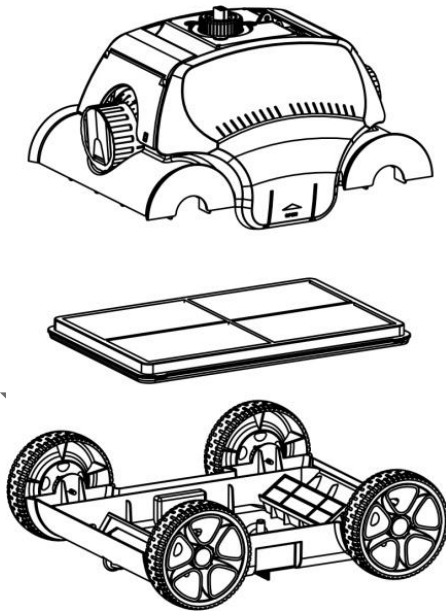


- c. Clean the filter tray and chassis

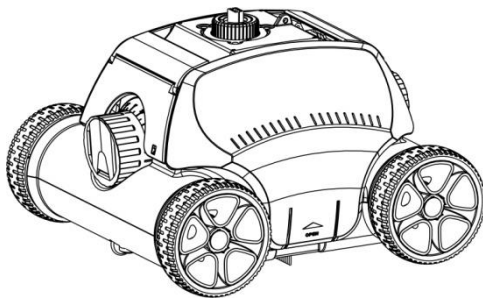




d. Reassemble the cleaner



e. Make sure that the top cover firmly attaches to the chassis and that the side clips clip into place.



Hold Both sides of the top cover near the clips and gently pull clips outward + lower the top cover over the chassis until it clips into place.

## VI. Troubleshooting

Symptom	Possible reason	Solution
The cleaner does not work and the red indicator light slowly flashes	Internal fault	Contact Hyclor
The cleaner does not work and the blue indicator light flashes	Pump protection	Re-start the robot
The cleaner does not work and the indicator light does not flash	Battery protection	Charge the robot and if that does not work, contact Hy-Clor.
The charger indicator light does not work	Charger damage	Contact Hy-Clor
The cleaner does not achieve full coverage of the pool	Unsuitable nozzle angle	Adjust nozzle angle
	Special pool shape	Adjust nozzle to increase angle of deflection. Start robot in the difficult to reach area
	Pool water filtration system is running	Turn off water filtration system

## **IV. Warranty Terms and Conditions**

Our goods come with guarantees that cannot be excluded under the Australian Consumer Law. You are entitled to a replacement or a refund for a major failure and for compensation for any other reasonably foreseeable loss or damage.

Please read these warranty terms and conditions carefully. A failure to comply with these terms and conditions may affect any claim on warranty you may have on a product.

### **The HYCLOR 'i2' Battery Robot Comes with 24 months warranty (BATTERY, BODY, and MOTOR ONLY)**

**Pool Water can be corrosive to parts of the robot if the robot is left in the pool for prolonged periods of time. The robot should therefore only be left in the pool while working then removed, cleaned, and stored as soon as possible thereafter.**

**The warranty may be void if the robot is left in the pool.**

**Warranty may be void if the cleaner's charging port cover has been left off or has been charged while the port is wet.**

Damage to a Vinyl liner is not covered under warranty. It is up to the user to make sure the liner quality is of good quality and will not be damaged using the 'i2' Pool cleaner.

### **WARRANTY GENERAL CONDITIONS**

All products provided by HY-COLOR AUSTRALIA PTY LTD are warranted for defined periods of time (refer to the product table.

All mechanical swimming pool products supplied to consumers by HY-COLOR are to be installed or used in the manner they are manufactured for only.

Warranty may be voided if the product or products claimed by the consumer under warranty have been used for purposes other than their designed or manufactured purpose.

Where applicable, products supplied by HY-COLOR come with operation and installation manuals. All care must be taken to install and operate the products according to these instructions. Failure to install or operate these products in accordance with these instructions may void the warranty.

The chemical balance of the swimming pool water plays a significant part in the operational life of all swimming pool products, HY-COLOR recommends regular water testing using an approved swimming pool test kit.

This warranty is valid for the original purchase and is not transferable. Keep your purchase docket, tax invoice, or receipt as proof of purchase, and as proof of the date on which the purchase was made.

Modifications to any electrical product provided by HY-COLOR products are covered by a twelve-month warranty unless prior written approval has been granted by HY-COLOR and has been carried out by one of its authorized agents. All electrical installations must be carried out by a competent licensed professional.

All pool filtration equipment including filters, pumps, and salt chlorinators, must be kept in a dry well-ventilated area away from direct sunlight and in an area that is free from flooding or rain. This warranty does not cover normal wear and tear to the products or parts.

To make a claim please contact:

HY-COLOR AUSTRALIA PTY LTD

**FREE CALL NUMBER 5 DAYS A WEEK 1800 625 123 (AU) or 09 973 2477 (NZ)**