



solar shower stand

instruction manual

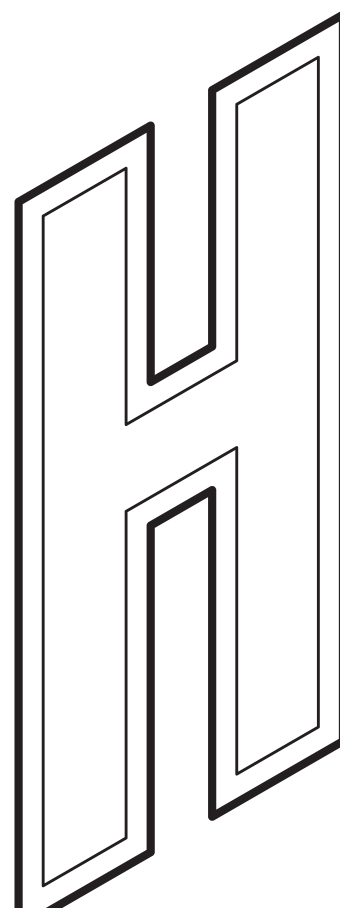
1560

HY-CLOR AUSTRALIA PTY LIMITED
ABN 81 000 655 381

178 Power Street
Glendenning NSW 2761 Australia

all enquiries:
AU 1800 625 123, NZ (09) 973 2477
or help@hyclor.com.au

visit us at hyclor.com.au



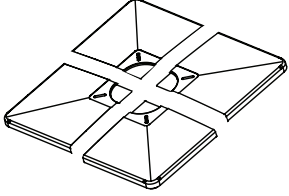


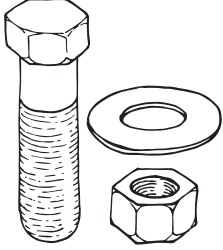
IMPORTANT: READ THE FOLLOWING INSTRUCTIONS CAREFULLY BEFORE ASSEMBLING THE SOLAR SHOWER.

Unpacking: remove product from its packaging. Check that product and accessories are not damaged.

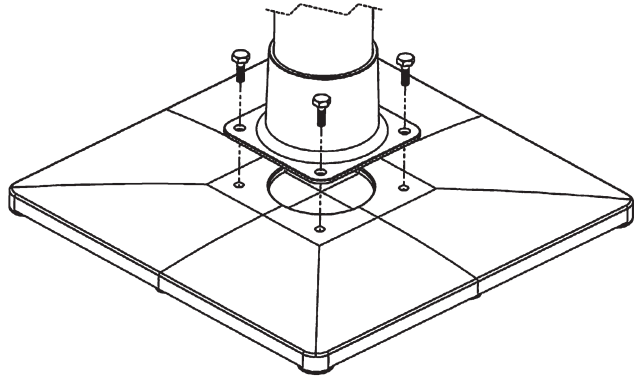
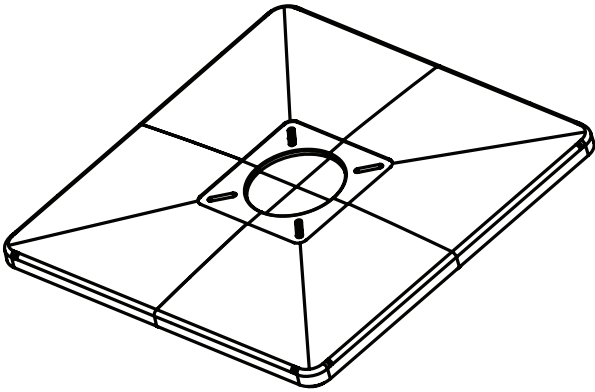
Keep unassembled parts away from children.

CONTENTS

PC	DESC	QT	
1	Base	4	

PC	DESC	QT	
2	Bolt, Washer & Nut.	4	

ASSEMBLY



PRODUCT HELPLINE

Australia: 1800 625 123
New Zealand: (09) 973 2477

help@hyclor.com.au
www.hyclor.com.au



WARRANTY CERTIFICATE

Warranty Terms and Conditions

This Warranty is provided by HY-CLOR Australia Pty Limited (ABN 81000655381), 178 Power Street, Glendenning NSW 2761 and is subject to the Australian Competition and Consumer Act 2010. The benefits provided to you by this Warranty are in addition to other rights and remedies available to you under the Australian Consumer Law. The Warranty period commences on the date of purchase of the product.

Consumer Guarantee

Our products come with guarantees that cannot be excluded under the Australian Consumer Law. You are entitled to a replacement or refund for a major failure and compensation for any other reasonably foreseeable loss or damage. You are also entitled to have the product repaired or replaced if the product fails to be of acceptable quality and the failure does not amount to a major failure.

Products used outside of a domestic environment will void this Warranty.

Exclusions

This Warranty will not apply **without a Proof of Purchase**. Also if the product has not been installed, used or maintained in accordance with the manufacturer's instructions supplied with the product.

Normal wear and tear to the product or parts is not covered by this Warranty.

PRODUCT HELPLINE

Australia: 1800 625 123
New Zealand: (09) 973 2477

help@hyclor.com.au
www.hyclor.com.au

Warranty Period

PRODUCTS	WARRANTY
• D8L Outdoor Shower	12 months
• D9HS Handheld Shower	12 months
• SS0912 Outdoor Shower	12 months
• D20L Outdoor Shower	12 months
• D35S Outdoor Shower	12 months
• 1560 Shower Stand	12 months

To Make a Claim

Please contact the **HY-CLOR Helpline AUS: 1800 625 123 NZ: (09) 973 2477** and a replacement/refund will be arranged **with your Proof of Purchase**.

PRODUCT NAME: _____ **MODEL NUMBER:** _____

DATE OF PURCHASE: _____ **RECEIPT NUMBER:** _____

CUSTOMER NAME: _____

ADDRESS: _____

EMAIL: _____ **PHONE NUMBER:** _____

Please attach a copy of your receipt, showing the date of purchase, to this Warranty Certificate and keep for your reference.

PRODUCT HELPLINE

Australia: 1800 625 123
New Zealand: (09) 973 2477

help@hyclor.com.au
www.hyclor.com.au