



# PREMIUM SPA STEP HANDRAIL

Hy-Clor's Premium Spa Step - Handrail is easy to assemble and can handle a maximum bearing weight of 150kg.

## INSTALLATION INSTRUCTIONS

### List of Contents

NO	QTY	Shape /Name
①	2	
②	1	
③	2	6x35
④	2	M6
⑤	2	ø18
⑥	6	5x25
⑦	4	5x19
⑧	1	ø3.2

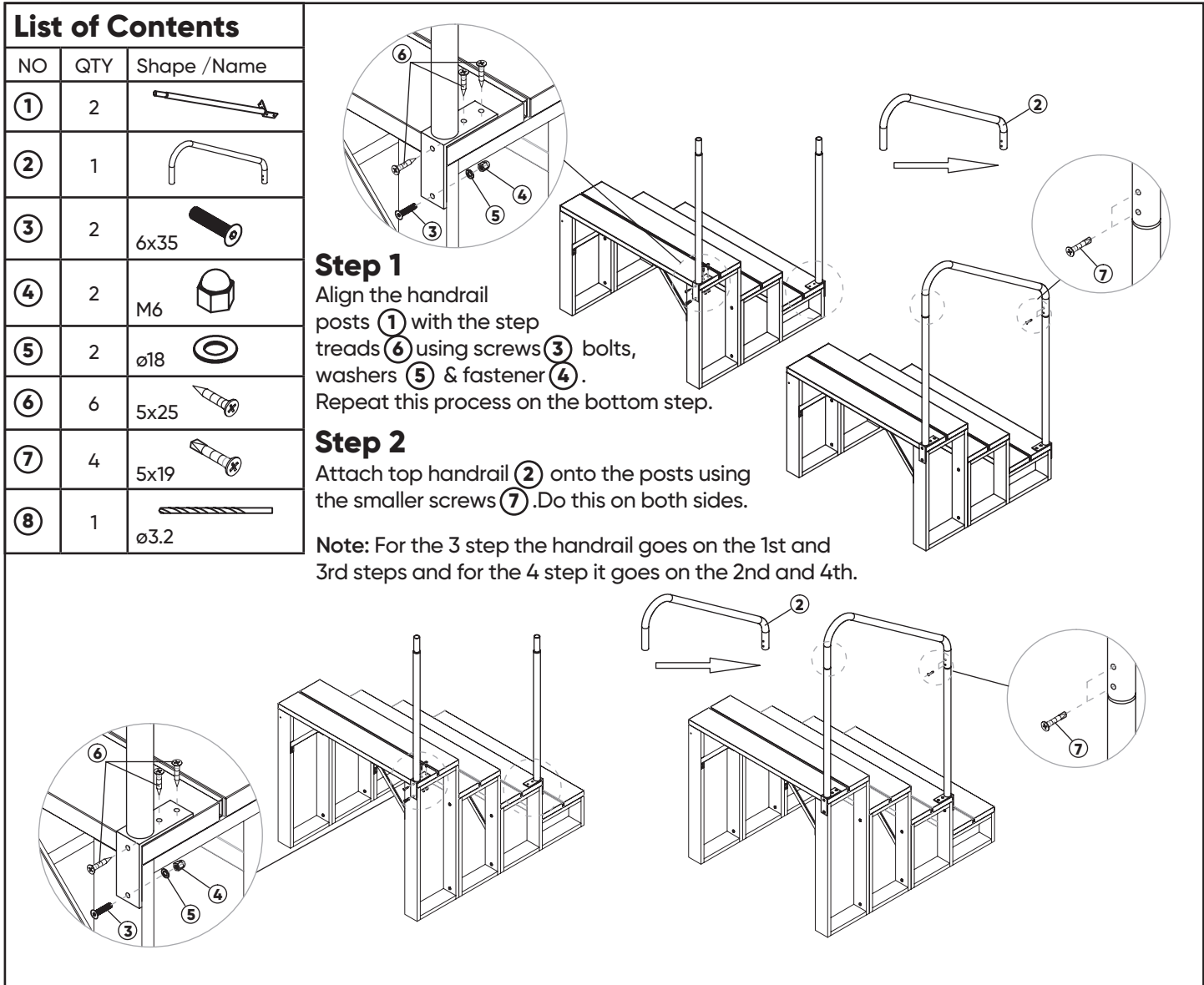
### Step 1

Align the handrail posts ① with the step treads ⑥ using screws ③ bolts, washers ⑤ & fastener ④. Repeat this process on the bottom step.

### Step 2

Attach top handrail ② onto the posts using the smaller screws ⑦. Do this on both sides.

**Note:** For the 3 step the handrail goes on the 1st and 3rd steps and for the 4 step it goes on the 2nd and 4th.



## SAFETY PRECAUTIONS

Regularly inspect the steps for any signs of damage. Ensure the steps are placed on a flat and stable surface to prevent tipping or shifting; do not use them on a slippery surface. Keep the steps out of reach of small children and ensure they are under competent adult supervision when in use. Use caution when the steps are wet, as they may become slippery. Avoid prolonged exposure to extreme temperatures, as this can weaken the plastic.