



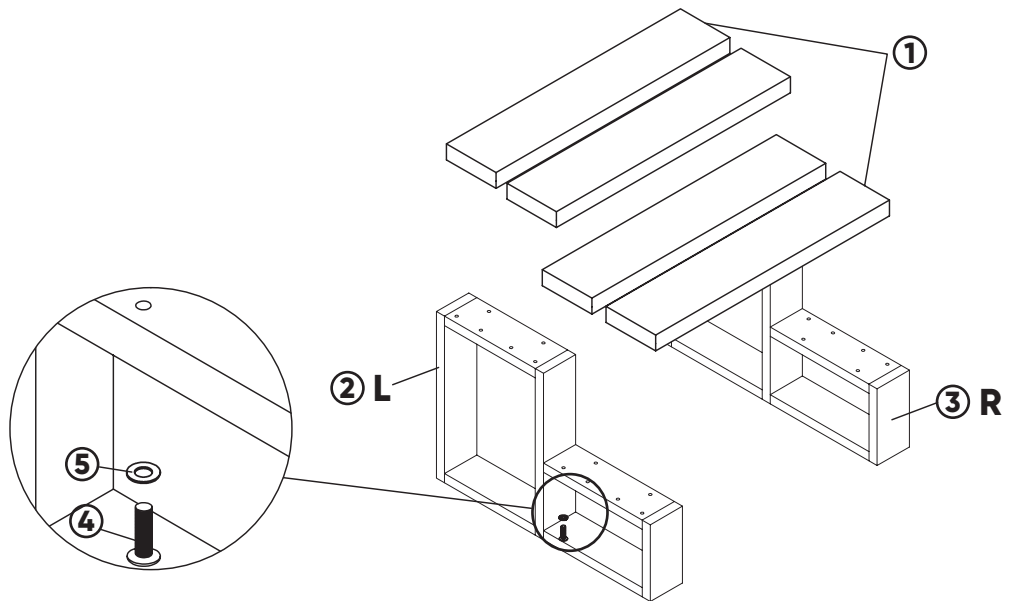
PREMIUM SPA STEP TWO STEPS

Hy-Clor's Premium Spa Step - Two Step is easy to assemble and can handle a maximum bearing weight of 150kg.

INSTALLATION INSTRUCTIONS

List of Contents

NO	QTY	Shape /Name
①	4	
②	1	L
③	1	R
④	24	6x40
⑤	24	ø18
⑥	1	5#



Attach plank ① to side frame ② using screws ④ and washers ⑤.
Repeat for the opposite side with side frame ③.

SAFETY PRECAUTIONS

Regularly inspect the steps for any signs of damage. Ensure the steps are placed on a flat and stable surface to prevent tipping or shifting; do not use them on a slippery surface. Keep the steps out of reach of small children and ensure they are under competent adult supervision when in use. Use caution when the steps are wet, as they may become slippery. Avoid prolonged exposure to extreme temperatures, as this can weaken the plastic.