



supreme aluminium shower 26L

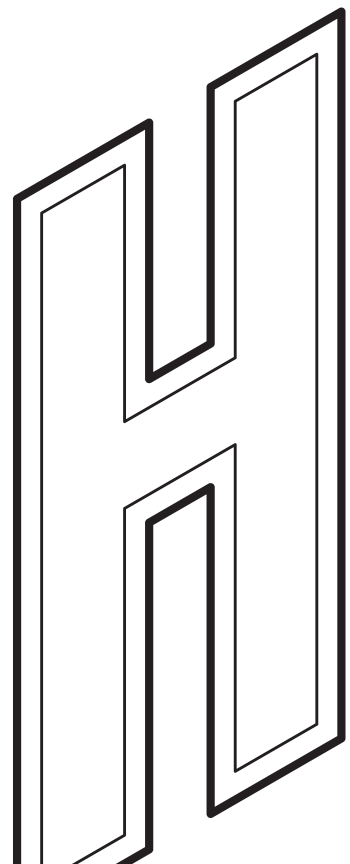
instruction manual

HY-CLOR AUSTRALIA PTY LIMITED
ABN 81 000 655 381

178 Power Street
Glendenning NSW 2761 Australia

all enquiries:
AU 1800 625 123, NZ (09) 973 2477
or help@hyclor.com.au

visit us at hyclor.com.au





1.0 INTRODUCTION

1.1 We recommend installation of the HY-CLOR supreme aluminium solar shower 26L to a solid surface to ensure stability and safety.

1.2 When using tools, care must be taken not to damage chrome plating.

1.3 We recommend using a cloth between wrench and shower parts to avoid damage.

2.0 MOUNTING THE SOLAR SHOWER: CONCRETE/MASONRY INSTALLATION ONLY

2.1 Choose a location for the shower that receives the most direct sunlight.

2.2 Use the base plate/PVC tube to mark the position of the mounting holes to be drilled into concrete/masonry for bolts (Figure 3).

2.3 Remove shower section. Drill 10mm (0.47") diameter holes, 45mm (1.77") deep, using the marks created.

2.4 Insert expansion nuts into drilled holes. Place the bolt inside the expansion nut and TAP with a hammer to slightly expand the nut.

2.5 Remove bolt and place the base plate/lower tube over the holes and secure to surface with bolts and washers provided.

3.0 ASSEMBLING THE SOLAR SHOWER

3.1 For the assembly of the upper and lower part of the solar shower, refer to Figures 1 & 2. Place the attached seal between the solar shower's upper and lower parts. Following that, screw the parts together.

3.2 Attach garden hose to inlet port of shower.

NOTE: The maximum operating pressure for the solar shower is 3 bar.

NOTE: Be sure hose is placed safely to avoid any tripping hazards.

NOTE: Make certain that stainless steel tube assembly is tightened securely and in place (Figure 3).

4.0 INITIAL SET UP OF THE SOLAR SHOWER

4.1 Turn and lift shower handle to FULL ON HOT position.

4.2 To fill the shower with water, turn on the tap at the garden hose. Shower will take about 2 minutes to fill.

NOTE: Filling tube with valve in hot position ensures no air pockets are trapped in shower.

NOTE: This procedure is used for initial set up only.

4.3 When water flows from shower head, turn shower handle off. Turning the shower off allows the water to begin heating.

4.4 Shower is ready to absorb sunlight and heat your water in the black solar tank.

NOTE: The time taken to heat water depends on the outside temperature and the strength of the sunlight. Windy weather can also influence the water heating.

NOTE: Do not shower during lightning storms.

CAUTION: ADJUST WATER TEMPERATURE GRADUALLY FROM COOL TO HOT TO AVOID INJURY

5.0 USING THE SHOWER

5.1 Lift the handle to its ON position and you are ready to enjoy your solar heated water.

NOTE: The water supply must be turned on for shower to run.

- a) Warm water flow approx. 10.3 L/min
- b) Cold water flow approx. 10.9 L/min

5.2 When done, turn off water supply to shower.

6.0 OFF-SEASON DISASSEMBLY & STORAGE

6.1 During the winter the water has to be removed from the solar shower completely.

6.2 Furthermore the solar shower has to be taken down in winter and stored in a dry place.

6.3 Failure to follow these instructions may cause frost damage on the material (frost damage will not be recognized as a claim).

6.4 Steps:

- a) Turn off and disconnect garden hose.
- b) Open handle and allow shower to drain (approximately 2 minutes).
- c) Unbolt shower PVC tube and pour remaining water out of unit.
- d) Wipe down and store shower parts for next season.

PRODUCT HELPLINE

Australia: 1800 625 123
New Zealand: (09) 973 2477

help@hyclor.com.au
www.hyclor.com.au



WARNING

Due to the solar radiation the water in the solar tank can get hot.

We recommend opening the handle in the middle position between hot and cold, then setting to the desired temperature.

If HY-CLOR supreme aluminium solar shower 26L has not been used for more than three days, we recommend running it for 2 minutes to remove stagnant water. Stagnant water in a warm environment can provide a growth environment for hazardous bacteria.

DO NOT USE SALT OR ANTI-FREEZE IN WATER TO PREVENT FREEZING. THIS WILL VOID THE PRODUCT WARRANTY.

Keep this manual. Please include the manual with the product upon transfer of ownership.

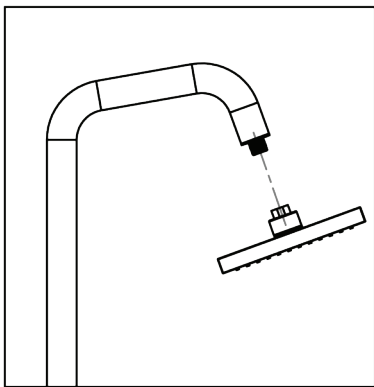
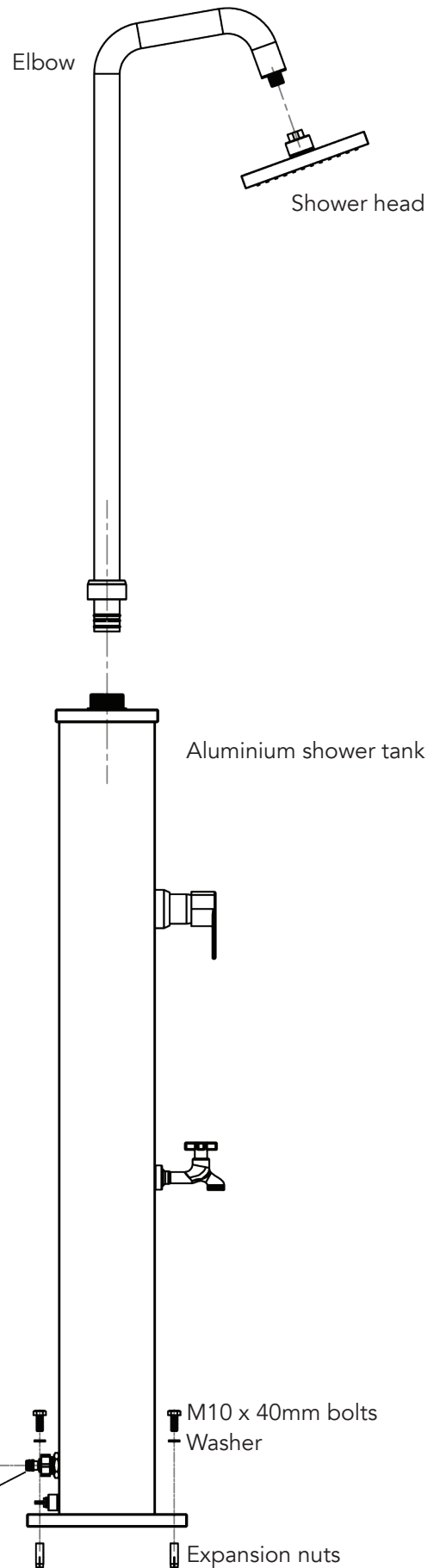


Figure 1

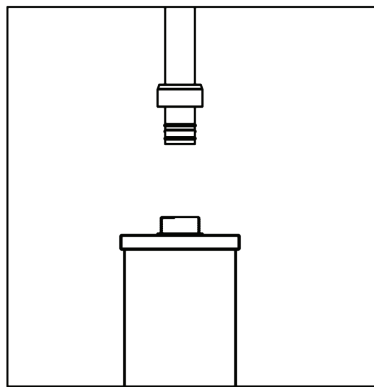


Figure 2

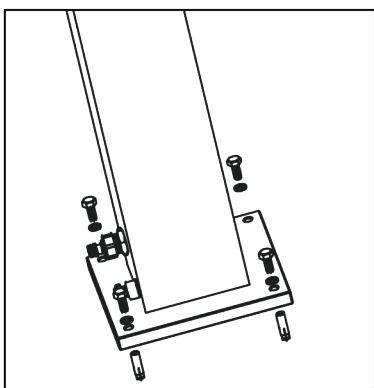


Figure 3

Hose
(not included
in the package)



Inlet connector

M10 x 40mm bolts
Washer

Expansion nuts

PRODUCT HELPLINE

Australia: 1800 625 123
New Zealand: (09) 973 2477

help@hyclor.com.au
www.hyclor.com.au



**HY-CLOR AUSTRALIA PTY LTD
ABN: 81 000 655 381**

**178 Power Street
Glendenning, NSW 2761 Australia**

**Australia: 1800 625 123
New Zealand: (09) 973 2477**

**help@hyclor.com.au
www.hyclor.com.au**

PRODUCT HELPLINE

**Australia: 1800 625 123
New Zealand: (09) 973 2477**

**help@hyclor.com.au
www.hyclor.com.au**