

尺寸：420 x 140 mm

材质：157g双铜专版

装订：风琴页

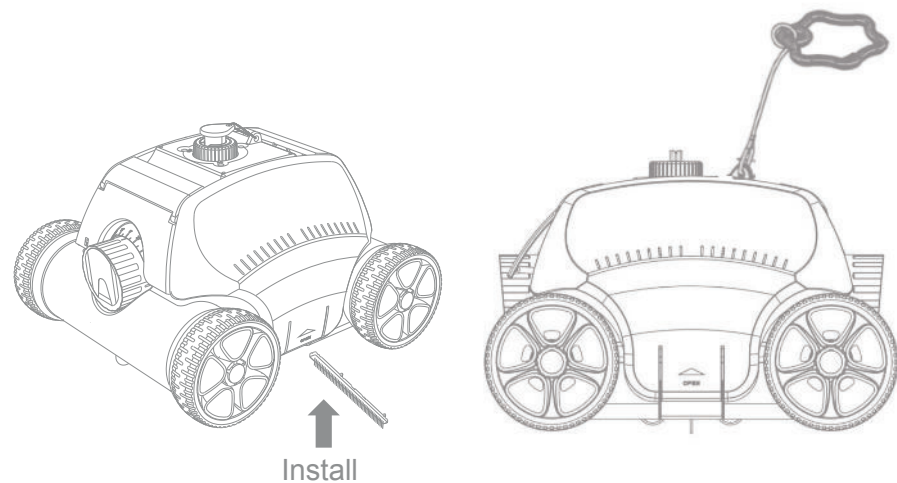
印刷：双面四色印刷

工艺：过哑膜

# Quick Guide

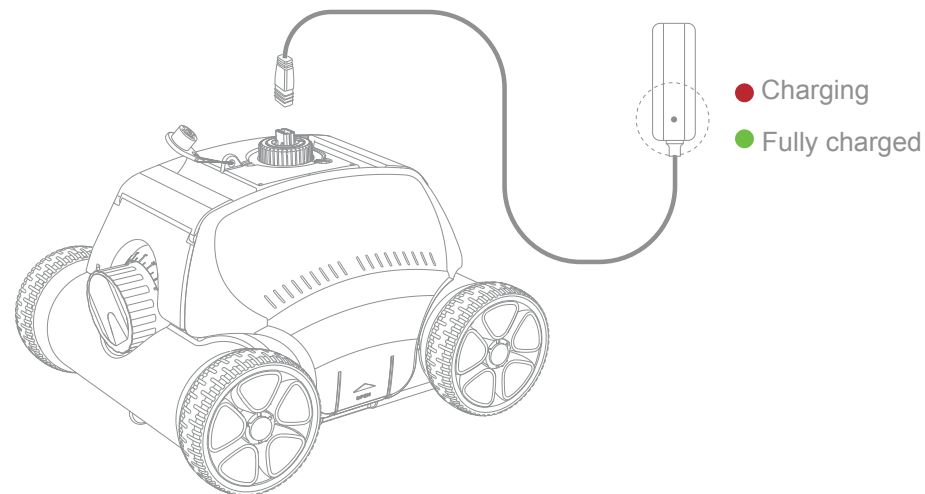


## 1. Assemble accessories :



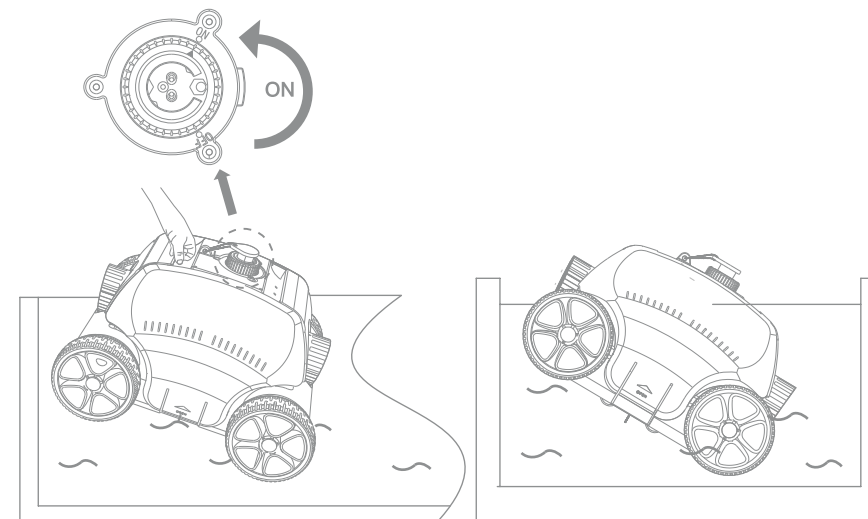
- 1) Install the brush.
- 2) Tie the floating handle.

## 2. Charge before use :



- 1) Please charge the robot before its first use. Use original charger only.
- 2) Make sure the robot is powered off when it is charging.
- 3) Red light indicates the robot is charging, green light indicates it is fully charged.
- 4) Robot can take up to 5-6 hours to charge.

## 3. Put into pool :

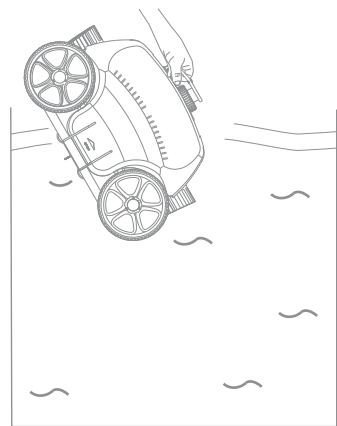


- 1) Power it "ON" before putting it into the pool (within 20 seconds).
- 2) Put it into the pool with the wheels towards the pool.

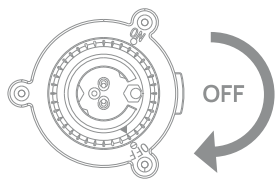
# Quick Guide



## 4. Lift out of pool :

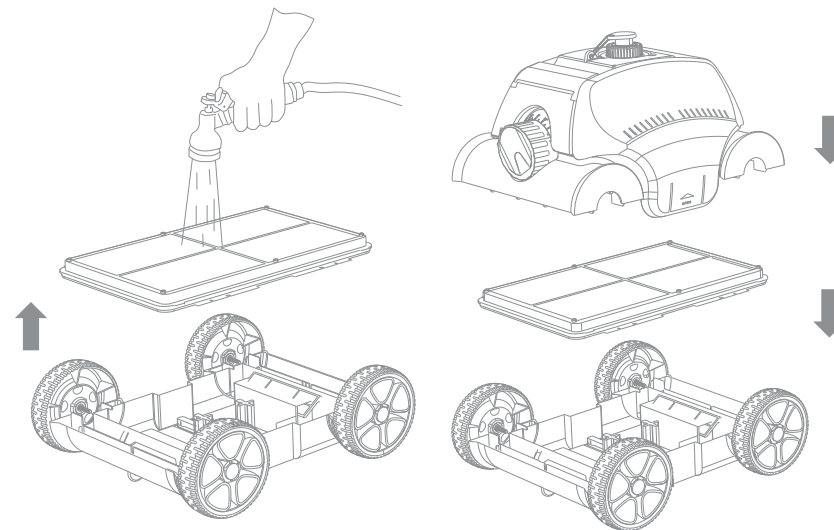


Lift it out of the pool slowly and power it "OFF".



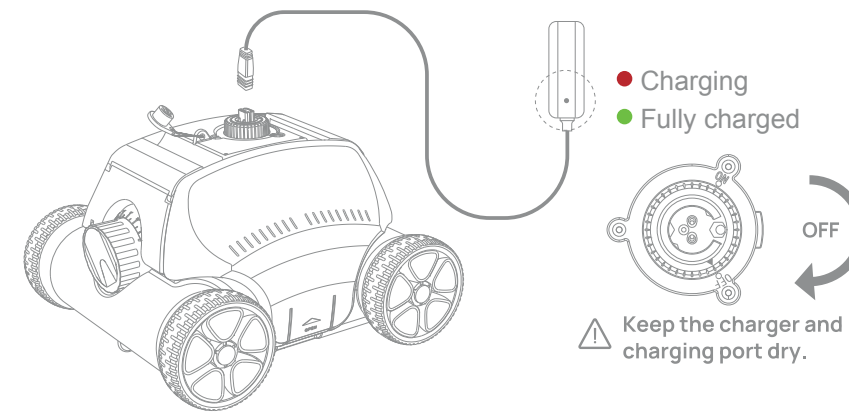
1) When the robot finishes working, it automatically parks at the side of the pool where it can be easily lifted out the pool using the floating handle.

## 5. Clean and install :



1) Clean the robot and filter tray with water.  
2) Reassemble the filter tray, top cover and chassis.

## 6. Charge after use :



1) Please charge after use and keep the charger and charging port dry.  
2) Make sure the robot is powered off when it is charging.  
3) Red light indicates it is charging, green light indicates it is fully charged.

⚠ Please ensure the charging intervals do not exceed 6 months.

⚠ Make sure charging port is completely dry before charging.